

Cable Management Catalog



Modular Enclosures
Open Frame Racks
Wall Mount Enclosures
Components & Accessories
Climate Control
Power Management

Belden® Cable Management Solutions

Belden –
the most trusted
brand for reliable signal
transmission solutions
offers a complete selection
of enclosure and cable
management products.



For Diverse Applications:



Networking



Data Center



Security



Cable TV/Head End



Broadcast and Audio/Video



General Purpose

- Education
- Retail
- Offices
- Houses of Worship
- and more



Telco & Central Office

TABLE OF CONTENTS	PAGE NO.
Application Guide for Belden Enclosures	4
Product Summary & Selection Guide	5
Networking Racks & Enclosures	7-33
Advantages in Using Belden Networking Enclosure Series	7-9
Enclosures & Options: XST, XDP, XSL, XUS & XUSD, XUSS & XUSDS, XNM (NEMA-12)	10-25
Racks & Options: High-Density Racking System (HDRS), Distribution and Server Racks, Rack Kits, Cable Management Rack, Swing Racks & Wall Mount Racks	26-33
Broadcast Racks and Enclosures	34-48
Advantages in Using Belden Broadcast Rack & Enclosure Series	34-36
Broadcast Rack and Enclosure Series Comparison Chart	37
Enclosures & Options: XSF, XMF, XME, XMER	38-48
Wall Mount Enclosures	49-51
Features	49
Wall Mount Enclosures & Options: XWM	50-51
Components & Accessories	52-64
Enclosure Shelves	52-53
Shelving Selection Guide	54
Anti-tip Device	55
Grounding Bars	55
Vertical Cable Management	56-57
Vertical Cable Manager Selection Guide	57
Horizontal Cable Management	57-59
Horizontal Cable Manager Selection Guide	59
Light Kits, Filler Panels, Extender Brackets	60
Grounding/Bonding Strap Kits, Mounting Hardware	61
Cable Ties	62-64
Climate Control Products	65-67
Air Conditioners, Fan Controllers	65
Variable Speed Fan Controller, Remote Climate Monitoring	66
Remote Climate Sensors, Temperature Displays	67
Power Management Products	68-73
Power Distribution Units with Remote Monitoring, Power Distribution Units	68-69
Mission-Critical Power Distribution Units	70-71
Plug and Receptacle Configurations	71
Selection Guide for Power Distribution Units	72
Custom Ordering a Power Distribution Unit	73
Shipping Policy	74
Warranty	74
Part Number Index	75-78
Belden Enclosure & Rack Facilities & Capabilities	79
Customer Service and Other Belden Contacts	Back Cover

Application Guide for Belden Enclosures

Rack or Enclosure Style	Page No.	Networking Closet	Data Centers	Telco Central Office	Broadcast	A/V	Security	Cable TV, Head End	Harsh Environment, Networking	General Purpose, Retail, Offices, K-12, Houses of Worship...
XST*	10	■	●	●						■
XDP*	10	■	●	●						
XSL	14	●								■
XUS**	18	■	●							
XUSD**	18	■	●							
XNM†	23							●		
HDRS	26	●	●	●						
XME	43					●	●			●
XMER	46					●	●	●		●
XMF	40				●			●		
XSF	38				●					
XWM	49	●				●	●			●
XSW	32	●								●
XWR	33	●								●
XDR**	28	●	●	●						●
XCR	32	●	●							●

*19" and 23" mount compatible, telco type equipment. **Includes seismic certified versions. † Production floor network storage.
● = PRIMARY APPLICATION ■ = SECONDARY APPLICATION

Engineered to Meet Your Specific Needs

Belden has leveraged its engineering and manufacturing expertise to bring you the most reliable cable, connectivity, enclosure and active systems solutions available...with the largest selection of products and the industry's most trusted technical support and service.

This catalog of Cable Management products reflects the same quality and reliability you've come to expect from Belden for the housing and storage of data, broadcast, security and other equipment. Engineered for optimal cable routing, ease of installation and maximum convenience, Belden racks and enclosures have also been designed to match the unique requirements of various industries and applications.

This table will help you select the Belden rack and enclosure family that best suits your specific application. If you have a need for any custom design or a special application, please call us for assistance. Our Cable Management teams have many years of experience in modifying and customizing enclosure designs to suit many different requirements.

Product Summary & Selection Guide

CABLE MANAGEMENT PRODUCT FAMILY	STYLE	PART NUMBER PREFIX	PAGE NUMBER	RACK SPACE	HEIGHTS	PANEL MOUNTING	WIDTH	DEPTH
Freestanding Modular Enclosures	Data Standard	XST	10	25, 39, 42 or 45U	48", 72", 78" or 84"	19" or 23"	29"	30"
	Data Deep	XDP	10	25, 39, 42 or 45U	72", 78" or 84"	19" or 23"	29"	34"
	Data Slim	XSL	14	25, 39, 42 or 45U	48", 72", 78" or 84"	19"	24"	30"
	Ultra Server	XUS	18	42 or 45U	78" or 84"	19"	24"	36"
	Ultra Deep Server	XUSD	18	45U	84"	19"	24"	42"
	Ultra Server — Seismic Rated	XUSS	18	45U	84"	19"	24"	36"
	Ultra Deep Server — Seismic Rated	XUSDS	18	45U	84"	19"	24"	42"
	NEMA 12	XNM	23	45U	84"	19" or 23"	29"	40"
	Slim Frame	XSF	38	10-48U	20.5" to 87" (14 height options)	19"	19.19"	18", 24" or 30"
	Media Enclosure	XMF	40	11-57U	22.25" to 103" (26 height options)	19"	22"	24", 30", 36" or 40"
	Media Enclosure (Fixed side panels)	XME	43	24-44U	48.87" to 83.87" (4 height options)	19"	22"	20" or 26.5"
	Media Enclosure	XMER	46	24-44U	48.87" to 83.87" (4 height options)	19"	22"	26.5", 31.5" or 36"
Wall Mount Enclosures	Standard	XWM	49	12, 18 or 25U	24", 36" or 48"	19"	21.25"	6", 20" or 24"
Open Frame Racks	Distribution Rack — 2 Post	XDR	28	25, 39 or 44U	48", 72" or 84"	19" or 23"	21.2" or 25.2" 20.31" or 24.31"	21" 15"
	Distribution Rack — 2 Post (Steel), Zone 4 Seismic Rated	XDRS	28	44U	84"	19" or 23"	24" or 28"	15"
	Distribution Rack — 2 Post (Aluminum)	BHRR	28	45U	84"	19" or 23"	23.75"	22"
	Distribution Rack — 2 Post (Aluminum)	XCR	32	45U	84"	19"	23.75"	22"
	Server Rack — 4 Post	XDR	28	44U	84"	19" or 23"	20.31" or 24.31"	24", 28", 32" or 36"
	Swing Rack	XSW	32	43U	84"	19"	34.375"	15"
	Wall Mount Rack — Swing Out	XWR	33	19 or 25U	36" or 48"	19"	19.75"	18"
	Wall Mount Rack — Hinged	XWR/AX	33	2, 4 or 6U	3.5", 7" or 11"	19"	19" or 19.5"	4" or 9.5"
	Copper Rack Kit	AX	31	44U	84"	19"	30.75"	14"
	Fiber Rack Kit	AX	31	44U	84"	19" or 23"	25" or 29"	14"

Advantages in Using Belden Networking Enclosure Series

Engineered to Meet Your Specific Needs

The Networking Series of enclosures and racks has been designed to meet the unique requirements of building and campus networks, data processing systems and server farms - from the Data Center to the telco closet.

These enclosures provide the flexibility and versatility needed to house and protect servers and other delicate electronic equipment, and allow the right amount of room needed for proper functioning.



Features

Construction

- Welded frame construction for greater strength and support.

Cable Management

- Numerous top and bottom entry points for easy configuration to match your needs.
- Cable access top features a 14.25" x 4" rubber gland which helps prevent dust from entering the enclosure.

Ease of Installation

- Sliding rails can be adjusted after installation to allow for cable management and different depths of equipment, without removing terminated equipment.
- EIA rails are numbered in rack space increments.

Temperature Control

- Perforated tops and cooling devices are available as options and presented in the following pages. Most enclosures can be customized for AC cooling with side mount AC units, available from 1,000 to 20,000 BTUs.
- Perforated and vented doors, plus a variety of top panel options, provide effective passive convection cooling.

Power Distribution

- A complete selection of Power Distribution units are detailed in the Components and Accessories section of this catalog.

Accessories

- A full complement of accessories will outfit your enclosures with the needed mounting, shelving and cable management support.

Aesthetics

- Finishing processes include anodizing, irriditing, painting and powder coating.

Aesthetics can be tailored to your requirements with a variety of door and panel options, including use of glass, finishing colors and even company identity graphics.



The enclosure shown here is the XUSD Style (Ultra Deep Server Enclosure).

Belden Networking enclosures are designed and manufactured for ease of installation, to provide reliable protection of your sensitive electronic equipment and to optimize cable management.

Advantages in Using Belden Networking Enclosure Series (Continued)

Features and Benefits

The following features are also standard on all Belden Networking Enclosure Series.



Reversible Doors

Front and Rear doors are manufactured with spring loaded hinges for easy toolless change of door swing in the field from right- or left-hand hinge options. Reversible door, lift-off side, tempered safety glass, adjustable mounting racks.



Lift-off Side Panels

Quick disconnect lift-off side panels with flush surface lock.



Cable Access Top

Rubber gland access, 14.25" x 4" opening, prevents dust from entering.



Tempered Safety Glass

Strengthens door and enhances the overall appearance; no static discharge, made with non-combustible material, tinted bronze glass, is easy to clean and non-scratching.



Adjustable Mounting Rails

Mounting rails are designed to EIA-310 standard and are available with 10-32 or 12-24 tapped holes, or square holes accepting a 6mm cage nut. Rail depths are fully adjustable, even when equipment is mounted. All rails feature convenient RU marking.



Casters and Levers

Casters and levelers are included with each standard Networking Enclosure order. Casters are used only to reposition enclosures; levelers are used at all other times to maintain a stable position.



Cable Gland Plate

Adjustable bottom plate minimizes the amount of dirt and dust entering the enclosure. (XST, XDP and XSL only)



Security

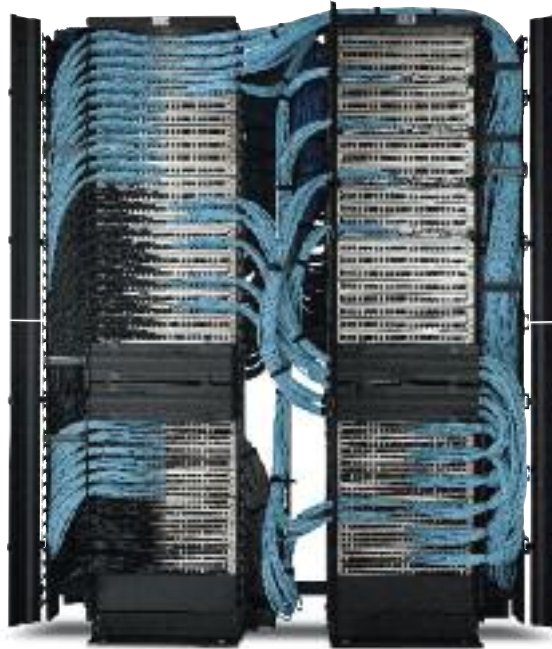
Locking doors and side panels with flush handles. Custom lock configurations are also available: electronic, combination, individual keyed with master.

Solutions for High-density Requirements

High-density Racking System

The Belden® High-density Racking System (HDRS), combined with Belden's leading connectivity products, allows optimal use of valuable real estate. Moves, adds and changes are truly easy, saving you time, money and stress.

Belden's racking system has a well-engineered platform that offers you a high level of versatility and flexibility in systems design.



The High-density Racking System (HDRS) shown with half-doors, vertical and horizontal managers and fingers; also outfitted with patch panels, patch cords and cabling to demonstrate the dense volume this system handles.

Smaller Footprint Enclosures

The 24" width of Belden XSL, XUS(S) and XUSD(S) Style enclosures require a smaller footprint for installations where space is at a premium, such as in Data Centers. This width also matches computer room floor tile for added convenience.



XSL Data Slim Enclosure with glass front and perforated rear doors, side panels and EIA mounting rails installed.

Style and Footprint Options for Networking Enclosures

OPTIONS

STYLE	HEIGHT	WIDTH	DEPTH
XST Data Standard	48", 72", 78", 84"	29"	30"
XDP Data Deep	72", 78", 84"	29"	34"
XSL Data Slim	48", 72", 78", 84"	24"	30"
XUS Ultra Server	78", 84"	24"	36"

STYLE	HEIGHT	WIDTH	DEPTH
XUSD Ultra Deep Server	84"	24"	42"
XUSS Seismic Ultra Server	84"	24"	36"
XUSDS Seismic Ultra Deep Server	84"	24"	42"
XNM (NEMA-12)	84"	29"	40"

Networking Racks & Enclosures



XST Data Standard Enclosure with glass front and perforated rear doors, sidepanels and EIA mounting rails installed. Part No. shown: XST84-3-102420

Data Enclosures

XST Data Standard Style: 29" Wide x 30" Deep

XDP Data Deep Style: 29" Wide x 34" Deep

Applications

Especially designed for networking and telephony applications, the mounting width of these enclosures is field adjustable. Rails can be positioned for 19" or 23" EIA mounting. These enclosures offer a choice of two depths. The Deep version accommodates servers, UPS units, controllers, battery back-ups, network monitors and more.

Design & Structural Features

- Freestanding welded frame with modular construction.
- 29" wide x 30" or 34" deep footprint.
- Frame heights: 48" (XST only), 72", 78", 84".
- Mounting rails can be adjusted to 19" EIA or 23" EIA spacing.
- Grounding Kits available - see Components and Accessories section.



XDP Data Deep Enclosure Frame with EIA mounting rails installed.

TECHNICAL SPECIFICATIONS

ENCLOSURE SIZE <small>Including gland plate, casters and levelers</small>	H	W	D	FRAME WEIGHT	MOUNTING OPTIONS†	ENCLOSURE WEIGHT*	LOAD CAPACITY**	RACK SPACES	USABLE DEPTH	
									At Latch	To Inside of Door
XST48-3-100000 Frame	48"	29"	30"	170 lbs.	19", 23"	280 lbs.	1500 lbs.	25U	27.5"	28.5"
XST72-3-100000 Frame	72"	29"	30"	195 lbs.	19", 23"	355 lbs.	1500 lbs.	39U	27.5"	28.5"
XST78-3-100000 Frame	78"	29"	30"	205 lbs.	19", 23"	385 lbs.	1500 lbs.	42U	27.5"	28.5"
XST84-3-100000 Frame	84"	29"	30"	210 lbs.	19", 23"	405 lbs.	1500 lbs.	45U	27.5"	28.5"
XDP72-3-100000 Frame	72"	29"	34"	220 lbs.	19", 23"	380 lbs.	1500 lbs.	39U	31.5"	32.5"
XDP78-3-100000 Frame	78"	29"	34"	225 lbs.	19", 23"	405 lbs.	1500 lbs.	42U	31.5"	32.5"
XDP84-3-100000 Frame	84"	29"	34"	235 lbs.	19", 23"	425 lbs.	1500 lbs.	45U	31.5"	32.5"

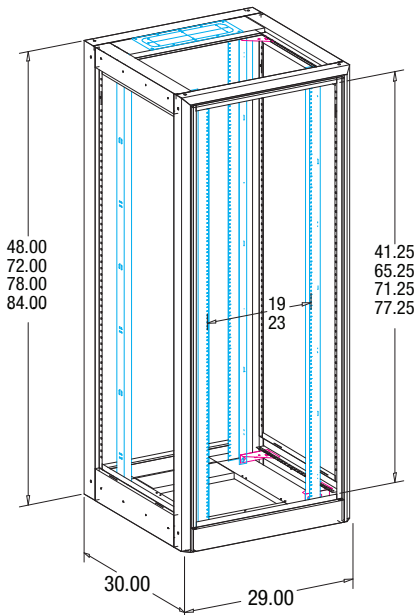
* Enclosure weight is an estimate for shipping a fully configured cabinet with Top, Doors, Sides and Power Strip.

** Load capacity on levelers.

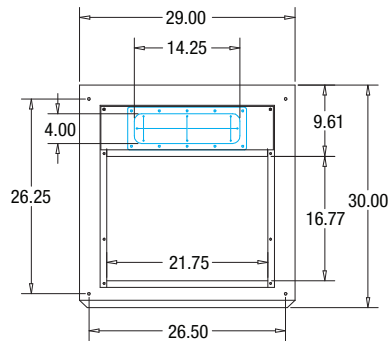
† 19" mounting option is included in part number shown. For 23" mounting, refer to "How To Order" section.

Data Enclosures

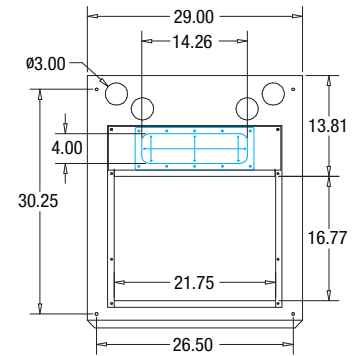
DIMENSIONS



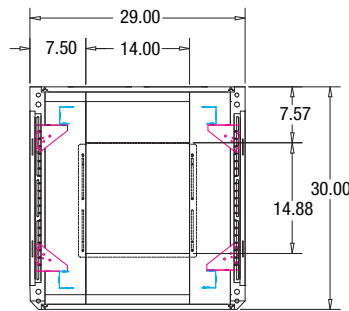
XST Front



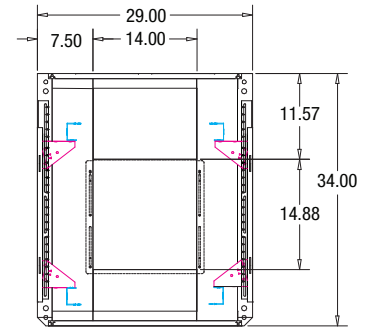
XST Top



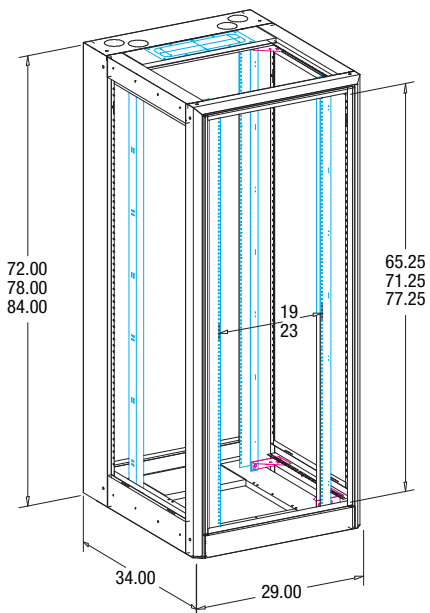
XDP Top



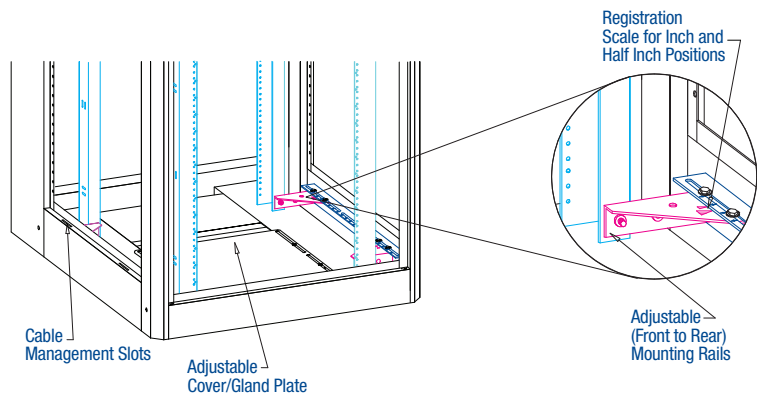
XST Bottom



XDP Bottom



XDP Front



XST and XDP Details

Networking Racks & Enclosures

Data Enclosures

HOW TO ORDER

Belden uses a simplified ordering matrix, allowing you to easily configure the enclosure you want with the appropriate frame style, size and components. Make your selections and fill in each of the boxes shown in the matrix below.

	FRAME HEIGHT		MOUNTING - Incl. 2 pr. Rails		FRONT DOOR		SIDES																																																								
	<table border="1" style="font-size: 8px;"> <tr><th>#</th><th>Description</th></tr> <tr><td>48</td><td>48" – 25U (XST only)</td></tr> <tr><td>72</td><td>72" – 39U</td></tr> <tr><td>78</td><td>78" – 42U</td></tr> <tr><td>84</td><td>84" – 45U</td></tr> </table>	#	Description	48	48" – 25U (XST only)	72	72" – 39U	78	78" – 42U	84	84" – 45U		<table border="1" style="font-size: 8px;"> <tr><th>#</th><th>Description</th></tr> <tr><td>1</td><td>19" mounting, 10-32 tapped</td></tr> <tr><td>2</td><td>23" mounting, 10-32 tapped</td></tr> <tr><td>3</td><td>6mm, cage nut-84" only</td></tr> </table>	#	Description	1	19" mounting, 10-32 tapped	2	23" mounting, 10-32 tapped	3	6mm, cage nut-84" only		<table border="1" style="font-size: 8px;"> <tr><th>#</th><th>Description</th></tr> <tr><td>1</td><td>Solid Swing</td></tr> <tr><td>2</td><td>Glass Swing</td></tr> <tr><td>4</td><td>Perforated Swing</td></tr> <tr><td>0</td><td>None</td></tr> </table>	#	Description	1	Solid Swing	2	Glass Swing	4	Perforated Swing	0	None		<table border="1" style="font-size: 8px;"> <tr><th>#</th><th>Description</th></tr> <tr><td>1</td><td>One Solid Side</td></tr> <tr><td>2</td><td>Two Solid Sides</td></tr> <tr><td>0</td><td>None</td></tr> </table>	#	Description	1	One Solid Side	2	Two Solid Sides	0	None																				
#	Description																																																														
48	48" – 25U (XST only)																																																														
72	72" – 39U																																																														
78	78" – 42U																																																														
84	84" – 45U																																																														
#	Description																																																														
1	19" mounting, 10-32 tapped																																																														
2	23" mounting, 10-32 tapped																																																														
3	6mm, cage nut-84" only																																																														
#	Description																																																														
1	Solid Swing																																																														
2	Glass Swing																																																														
4	Perforated Swing																																																														
0	None																																																														
#	Description																																																														
1	One Solid Side																																																														
2	Two Solid Sides																																																														
0	None																																																														
<input style="width: 40px; height: 20px;" type="text"/>	<input style="width: 40px; height: 20px;" type="text"/>	<input style="width: 40px; height: 20px; border: 1px solid black;" type="text" value="3"/>	<input style="width: 40px; height: 20px;" type="text"/>	<input style="width: 40px; height: 20px;" type="text"/>	<input style="width: 40px; height: 20px;" type="text"/>	<input style="width: 40px; height: 20px;" type="text"/>	<input style="width: 40px; height: 20px;" type="text"/>																																																								
FRAME STYLE	COLOR		TOP PANEL		REAR DOOR		POWER STRIP (See Notes*)																																																								
<table border="1" style="font-size: 8px;"> <tr><th>#</th><th>Description</th></tr> <tr><td>1</td><td>XST (29" W x 30" D)</td></tr> <tr><td>2</td><td>XDP (29" W x 34" D)</td></tr> </table>	#	Description	1	XST (29" W x 30" D)	2	XDP (29" W x 34" D)	<table border="1" style="font-size: 8px;"> <tr><th>#</th><th>Description</th></tr> <tr><td>1</td><td>Blue</td></tr> <tr><td>2</td><td>Beige</td></tr> <tr><td>3</td><td>Black</td></tr> <tr><td>4</td><td>Gray</td></tr> </table>	#	Description	1	Blue	2	Beige	3	Black	4	Gray		<table border="1" style="font-size: 8px;"> <tr><th>#</th><th>Description</th></tr> <tr><td>2</td><td>10" Diameter Fan</td></tr> <tr><td>3</td><td>4" Diameter Fans (4)</td></tr> <tr><td>4</td><td>Solid</td></tr> <tr><td>5</td><td>Vented</td></tr> <tr><td>0</td><td>None</td></tr> </table>	#	Description	2	10" Diameter Fan	3	4" Diameter Fans (4)	4	Solid	5	Vented	0	None		<table border="1" style="font-size: 8px;"> <tr><th>#</th><th>Description</th></tr> <tr><td>1</td><td>Solid Swing</td></tr> <tr><td>4</td><td>Perforated Swing</td></tr> <tr><td>5</td><td>Glass Swing</td></tr> <tr><td>0</td><td>None</td></tr> </table>	#	Description	1	Solid Swing	4	Perforated Swing	5	Glass Swing	0	None		<table border="1" style="font-size: 8px;"> <tr><th>#</th><th>Description</th></tr> <tr><td>2</td><td>4' 14 Outlet 15 Amp Surge Suppressor, 10' Cord</td></tr> <tr><td>3</td><td>2' 8 Outlet 15 Amp/10' Cord</td></tr> <tr><td>4</td><td>19" Rack Mount 6 Outlet (Rear) 15 Amp/ 15' Cord</td></tr> <tr><td>5</td><td>19" Rack Mount 6 Outlet (Rear) Surge Suppressor, 20 Amp/ 10' Cord</td></tr> <tr><td>6</td><td>4' 14 Outlet Surge Suppressor 20 Amp/10' Cord</td></tr> <tr><td>7</td><td>2' 8 Outlet 20 Amp/10' Cord</td></tr> <tr><td>8</td><td>66" 20 Outlet Surge Suppressor 20 Amp 10' Cord</td></tr> <tr><td>0</td><td>None</td></tr> </table>	#	Description	2	4' 14 Outlet 15 Amp Surge Suppressor, 10' Cord	3	2' 8 Outlet 15 Amp/10' Cord	4	19" Rack Mount 6 Outlet (Rear) 15 Amp/ 15' Cord	5	19" Rack Mount 6 Outlet (Rear) Surge Suppressor, 20 Amp/ 10' Cord	6	4' 14 Outlet Surge Suppressor 20 Amp/10' Cord	7	2' 8 Outlet 20 Amp/10' Cord	8	66" 20 Outlet Surge Suppressor 20 Amp 10' Cord	0	None
#	Description																																																														
1	XST (29" W x 30" D)																																																														
2	XDP (29" W x 34" D)																																																														
#	Description																																																														
1	Blue																																																														
2	Beige																																																														
3	Black																																																														
4	Gray																																																														
#	Description																																																														
2	10" Diameter Fan																																																														
3	4" Diameter Fans (4)																																																														
4	Solid																																																														
5	Vented																																																														
0	None																																																														
#	Description																																																														
1	Solid Swing																																																														
4	Perforated Swing																																																														
5	Glass Swing																																																														
0	None																																																														
#	Description																																																														
2	4' 14 Outlet 15 Amp Surge Suppressor, 10' Cord																																																														
3	2' 8 Outlet 15 Amp/10' Cord																																																														
4	19" Rack Mount 6 Outlet (Rear) 15 Amp/ 15' Cord																																																														
5	19" Rack Mount 6 Outlet (Rear) Surge Suppressor, 20 Amp/ 10' Cord																																																														
6	4' 14 Outlet Surge Suppressor 20 Amp/10' Cord																																																														
7	2' 8 Outlet 20 Amp/10' Cord																																																														
8	66" 20 Outlet Surge Suppressor 20 Amp 10' Cord																																																														
0	None																																																														

**Notes:*

- 1) 19" rack mount PDUs will work on all XST/XDP Enclosures, for use with 19" mounting rails.
- 2) 4' PDUs will NOT work on XST Enclosures 48" or less.
- 3) 2' PDUs will work on all XST/XDP Enclosures.
- 4) 66" PDU's will NOT work on any XST/XDP Enclosure 48" or less.

See the Power Distribution Products section of this catalog for more information.

COLORS



Blue (1) - Available on Request Beige (2) - Available on Request Black (3) - Standard Gray (4) - Available on Request

PRE-CONFIGURED ENCLOSURES

Using the same ordering matrix, the most popular enclosure configurations for the XST and XDP styles are listed here with their respective part numbers.

For your convenience, you can review these assemblies to see if there is one that matches your requirements.

ENCLOSURE	DESCRIPTION	ORDERING NUMBER
Data Standard, 48"	Black, 19" Mounting, Solid Top, Glass Front Door, Perforated Rear Door, Two Solid Side Panels	XST48-3-142420
Data Standard, 72"	Black, 19" Mounting, Vented Top, Perforated Front Door, Perforated Rear Door, Two Solid Side Panels	XST72-3-154420
Data Standard, 78"	Black, 19" Mounting, 4 - 4" Fan Top, Glass Front Door, Solid Rear Door, Two Solid Side Panels	XST78-3-132120
Data Standard, 84"	Black, 19" Mounting, 10" Fan Top, Perforated Front Door, Perforated Rear Door, No Sides	XST84-3-124400
Data Standard, 84"	Black, 19" Mounting, 10" Fan Top, Perforated Front Door, Perforated Rear Door, Two Solid Side Panels	XST84-3-124420
Data Deep, 72"	Black, 19" Mounting, Vented Top, Glass Front Door, Perforated Rear Door, Two Solid Side Panels	XDP72-3-152420
Data Deep, 78"	Black, 19" Mounting, 4 - 4" Fan Top, Glass Front Door, Glass Rear Door, Two Solid Side Panels	XDP78-3-132520
Data Deep, 84"	Black, 19" Mounting, 10" Fan Top, Perforated Front Door, Perforated Rear Door, No Sides	XDP84-3-124400
Data Deep, 84"	Black, 19" Mounting, 10" Fan Top, Perforated Front Door, Perforated Rear Door, Two Solid Side Panels	XDP84-3-124420

Data Enclosures

Note: Listed part numbers are for black components; replace the last number with the appropriate code for other colors (1 = Blue, 2 = Beige, 4 = Gray)

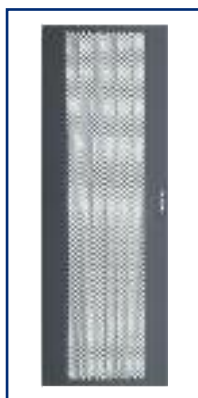
OPTIONS	
DESCRIPTION	ORDERING NUMBER
FRONT/REAR DOORS	
SOLID DOOR with Swing Handle Latch and Lock	
Solid Steel Door – 48"	4829-SF-3D
Solid Steel Door – 72"	7229-SF-3D
Solid Steel Door – 78"	7829-SF-3D
Solid Steel Door – 84"	8429-SF-3D
TEMPERED GLASS DOOR with Swing Handle Latch & Lock	
Tempered Glass Door – 48"	4829-GF-3D
Tempered Glass Door – 72"	7229-GF-3D
Tempered Glass Door – 78"	7829-GF-3D
Tempered Glass Door – 84"	8429-GF-3D
PERFORATED DOOR with Swing Handle Latch & Lock	
Perforated Door w/Latch & Lock – 48"	4829-PD-3D
Perforated Door w/Latch & Lock – 72"	7229-PD-3D
Perforated Door w/Latch & Lock – 78"	7829-PD-3D
Perforated Door w/Latch & Lock – 84"	8429-PD-3D



Solid Door



Tempered Glass Door



Perforated Door



10" Fan Top



(4) 4" Fan Top

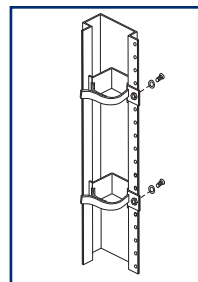


Vented Top

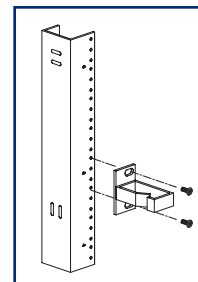


Solid Top

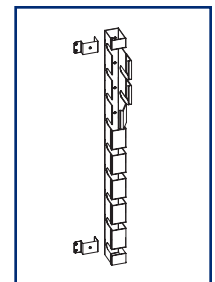
OPTIONS	
DESCRIPTION	ORDERING NUMBER
SIDE PANELS	
One Solid Lift-Off Side Panel w/Lock – 48"	4801-SP-3
One Solid Lift-Off Side Panel w/Lock – 72"	7201-SP-3
One Solid Lift-Off Side Panel w/Lock – 78"	7801-SP-3
One Solid Lift-Off Side Panel w/Lock – 84"	8401-SP-3
REMOVEABLE TOPS	
10" Diameter Fan (550 CFM)	2918-TP-3-3
4" Diameter Fan (Four = 320 CFM)	2918-TP-4-3
Solid	2918-TP-1-3
Vented	2918-TP-2-3
VERTICAL CABLE MANAGERS	
Corner Mount Vertical Cable Management Ring 3" x 3" w/velcro strap	9712-0100
Rail Side Mount Cable Management Ring, 2.5" x 5.75"	9712-0101
Rail Front Mount Cable Management Ring, 1.5" x 3"	9712-0102
Vertical Cable Ring, 1U Cable Manager, 1" W x 2" D	9712-0103
Vertical Cable Organizer, 36" H x 2" x 3" w/Quick Touch	9712-0104
84" Lacing Panel, Black, 5" W x 66" H	9712-0108
78" Lacing Panel, Black, 5" W x 60" H	9712-0109



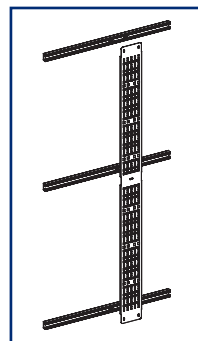
9712-0100



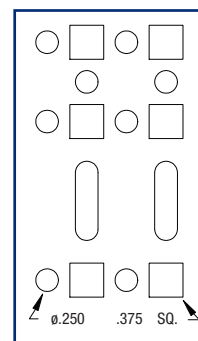
9712-0103



9712-0104



9712-0108 &
9712-0109



Hole Pattern for Vertical Lacing Panels

Pattern has been designed to accommodate a variety of wiring options. The .375" square holes accept a 'cage' style nut. The .250" dia. holes can be used for cable ties, 10-32 screws and nuts, or for attaching bracketry with push-in plastic rivets.

Networking Racks & Enclosures



XSL Data Slim Enclosure with glass front and perforated rear doors, side panels and EIA mounting rails installed. Part No. shown: XSL84-3-102420.

Data Slim Enclosures

XSL Data Slim Style: 24" Wide x 30" Deep

Applications

This freestanding enclosure features a 24" footprint to match computer room floor tile. Ideal for use in Data Centers or other areas where space is at a premium.

Design & Structural Features

- Freestanding welded frame with modular construction.
- 24" wide x 30" deep footprint.
- Frame heights: 48", 72", 78", 84".
- Allows for mounting of 19" wide equipment.
- Includes two pairs of EIA-310 style mounting rails with hardware.
- Includes casters and levelers.
- Grounding Kits available—see Components and Accessories section.



XSL Data Slim Enclosure Frame with EIA mounting rails installed.

TECHNICAL SPECIFICATIONS

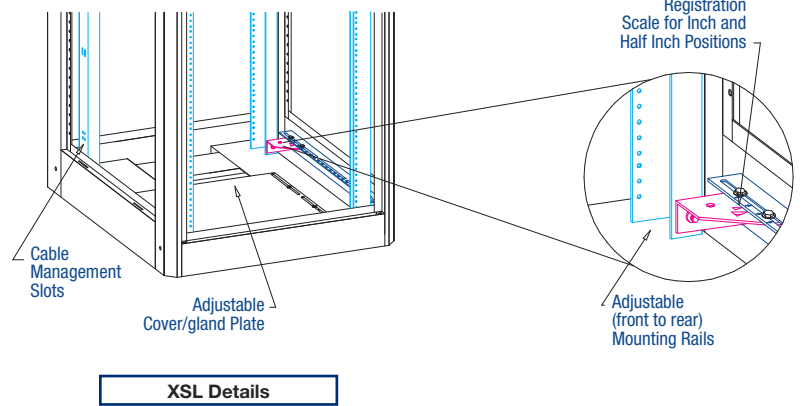
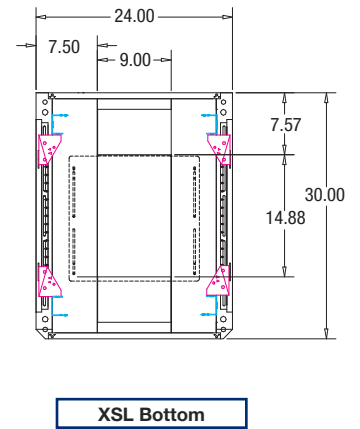
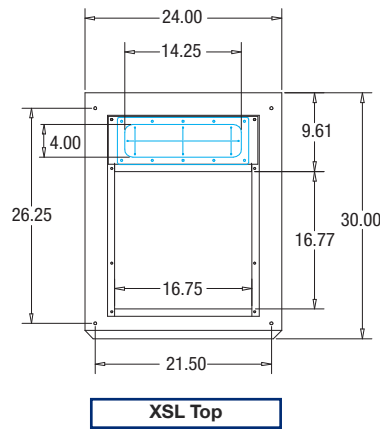
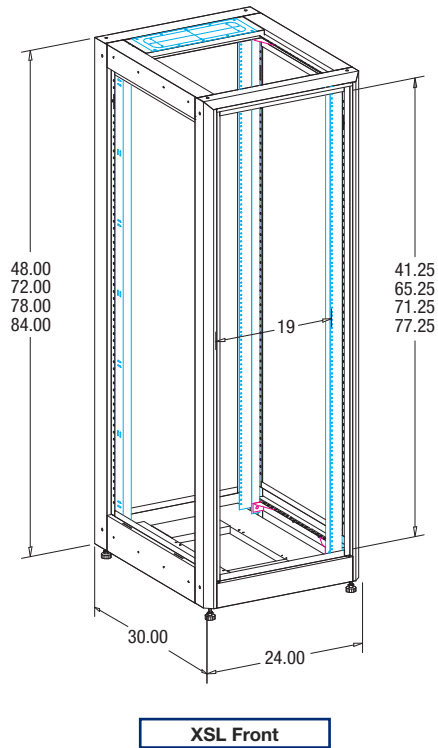
ENCLOSURE SIZE	H	W	D	FRAME WEIGHT	MOUNTING	ENCLOSURE WEIGHT*	LOAD CAPACITY**	RACK SPACES	USABLE DEPTH	
									At Latch	To Inside of Door
XSL48-3-100000 Frame, 19" Mounting Rails, 2 pr. 10-32 Tapped Rails, Casters & Levelers	48"	24"	30"	155 lbs.	19"	255 lbs.	1500 lbs.	25U	27.5"	28.5"
XSL72-3-100000 Frame, 19" Mounting Rails, 2 pr. 10-32 Tapped Rails, Casters & Levelers	72"	24"	30"	180 lbs.	19"	325 lbs.	1500 lbs.	39U	27.5"	28.5"
XSL78-3-100000 Frame, 19" Mounting Rails, 2 pr. 10-32 Tapped Rails, Casters & Levelers	78"	24"	30"	190 lbs.	19"	350 lbs.	1500 lbs.	42U	27.5"	28.5"
XSL84-3-100000 Frame, 19" Mounting Rails, 2 pr. 10-32 Tapped Rails, Casters & Levelers	84"	24"	30"	200 lbs.	19"	370 lbs.	1500 lbs.	45U	27.5"	28.5"

* Enclosure weight is an estimate for shipping a fully configured cabinet with Top, Doors, Sides and Power Strip.

** Load capacity on levelers.

Data Slim Enclosures

DIMENSIONS



Networking Racks & Enclosures

Data Slim Enclosures

HOW TO ORDER

Belden uses a simplified ordering matrix, allowing you to easily configure the enclosure you want with the appropriate frame style, size and components. Make your selections and fill in each of the boxes shown in the matrix below.

XSL		3						
-----	--	---	--	--	--	--	--	--

FRAME HEIGHT

#	Description
48	48" – 25U
72	72" – 39U
78	78" – 42U
84	84" – 45U

MOUNTING - Incl. 2 pr. Rails

#	Description
1	19" mounting, 10-32 tapped

FRONT DOOR

#	Description
1	Solid Swing
2	Glass Swing
4	Perforated Swing
0	None

SIDES

#	Description
1	One Solid Side
2	Two Solid Sides
0	None

FRAME STYLE

XSL (24" W x 30" D)

COLOR

#	Description
1	Blue
2	Beige
3	Black
4	Gray

TOP PANEL

#	Description
2	10" Diameter Fan
3	4" Diameter Fans (4)
4	Solid Swing
5	Vented
0	None

REAR DOOR

#	Description
1	Solid Swing
4	Perforated Swing
5	Glass Swing
0	None

POWER STRIP (See Notes*)

#	Description
2	4' 14 Outlet 15 Amp Surge Suppressor, 10' Cord
3	2' 8 Outlet 15 Amp/10' Cord
4	19" Rack Mount 6 Outlet (Rear) 15 Amp/ 15' Cord
5	19" Rack Mount 6 Outlet (Rear) Surge Suppressor, 20 Amp/ 10' Cord
6	4' 14 Outlet Surge Suppressor 20 Amp/10' Cord
7	2' 8 Outlet 20 Amp/10' Cord
8	66" 20 Outlet Surge Suppressor 20 Amp 10' Cord
0	None

**Notes:*
 1) 19" rack mount PDUs will work on all XSL Enclosures, for use with 19" mounting rails.
 2) 4' PDUs will NOT work on XSL Enclosures 48" or less.
 3) 2' PDUs will work on all XSL Enclosures.
 4) 66" PDUs will NOT work on any XSL Enclosure 48" or less.

COLORS



Blue (1) - Available on Request Beige (2) - Available on Request Black (3) - Standard Gray (4) - Available on Request

PRE-CONFIGURED ENCLOSURES

Using the same ordering matrix, the most popular enclosure configurations for the XSL style are listed here with their respective part numbers. For your convenience, you can review these assemblies to see if there is one that matches your requirements.

ENCLOSURE	DESCRIPTION	ORDERING NUMBER
Data Slim, 48"	Black, 19" Mounting, Solid Top, Glass Front Door, Perforated Rear Door, Two Solid Side Panels	XSL48-3-142420
Data Slim, 72"	Black, 19" Mounting, Vented Top, Perforated Front Door, Perforated Rear Door, Two Solid Side Panels	XSL72-3-154420
Data Slim, 78"	Black, 19" Mounting, 4 - 4" Fan Top, Glass Front Door, Solid Rear Door, Two Solid Side Panels	XSL78-3-132120
Data Slim, 84"	Black, 19" Mounting, Solid Fan Top, Perforated Front Door, Perforated Rear Door, No Sides	XSL84-3-144400
Data Slim, 84"	Black, 19" Mounting, Solid Fan Top, Perforated Front Door, Perforated Rear Door, Two Solid Side Panels	XSL84-3-144420
Data Slim, 84"	Black, 19" Mounting, 10" Fan Top, Perforated Front Door, Solid Rear Door, No Sides	XSL84-3-124100
Data Slim, 84"	Black, 19" Mounting, 10" Fan Top, Perforated Front Door, Solid Rear Door, Two Solid Side Panels	XSL84-3-124120

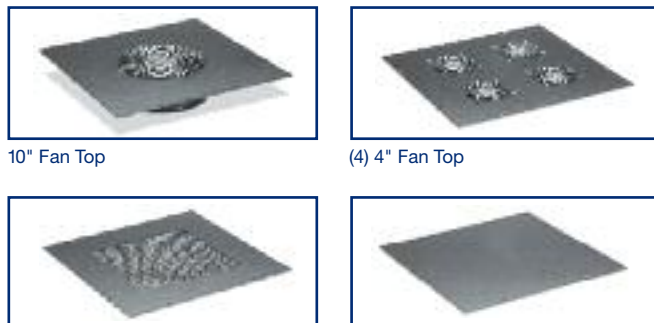
Data Slim Enclosures

Note: Listed part numbers are for Black components; replace the last number with the appropriate code for other colors (1 = Blue, 2 = Beige, 4 = Gray)

OPTIONS	
DESCRIPTION	ORDERING NUMBER
FRONT/REAR DOORS	
SOLID DOOR with Swing Handle Latch & Lock	
Solid Steel Door – 48"	4824-SF-3D
Solid Steel Door – 72"	7224-SF-3D
Solid Steel Door – 78"	7824-SF-3D
Solid Steel Door – 84"	8424-SF-3D
TEMPERED GLASS DOOR with Swing Handle Latch & Lock	
Tempered Glass Door – 48"	4824-GF-3D
Tempered Glass Door – 72"	7224-GF-3D
Tempered Glass Door – 78"	7824-GF-3D
Tempered Glass Door – 84"	8424-GF-3D
PERFORATED DOOR with 63% Opening and Swing Handle Latch & Lock	
Perforated Steel Door – 48"	4824-PD-3D
Perforated Steel Door – 72"	7224-PD-3D
Perforated Steel Door – 78"	7824-PD-3D
Perforated Steel Door – 84"	8424-PD-3D

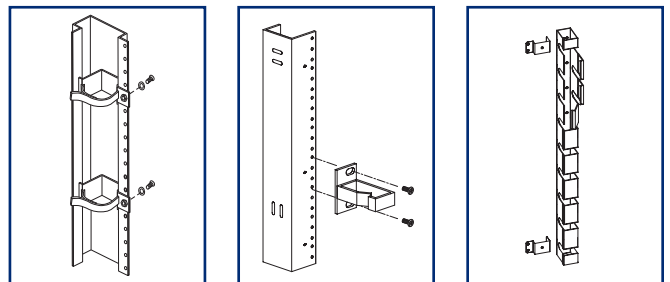


Solid Door Tempered Glass Door Perforated Door

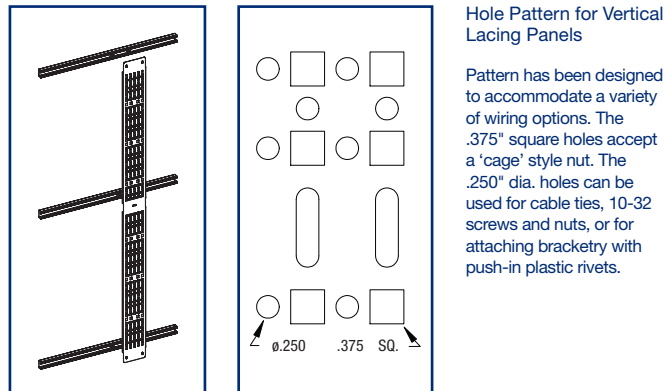


10" Fan Top (4) 4" Fan Top Vented Top Solid Top

OPTIONS	
DESCRIPTION	ORDERING NUMBER
SIDE PANELS	
One Solid Lift-Off Side Panel w/Lock – 48"	4801-SP-3
One Solid Lift-Off Side Panel w/Lock – 72"	7201-SP-3
One Solid Lift-Off Side Panel w/Lock – 78"	7801-SP-3
One Solid Lift-Off Side Panel w/Lock – 84"	8401-SP-3
REMOVEABLE TOPS	
Solid	2418-TP-1-3
Vented	2418-TP-2-3
10" Diameter Fan (550 CFM)	2418-TP-3-3
4" Diameter Fan (Four = 320 CFM)	2418-TP-4-3
VERTICAL CABLE MANAGERS (Available in Black only)	
Corner Mount Vertical Cable Management Ring 3" x 3" w/velcro strap	9712-0100
Vertical Cable Ring, 1U Cable Manager, 1" W x 2" D	9712-0103
Vertical Cable Organizer, 36" H x 2" x 3" w/Quick Touch	9712-0104
84" Lacing Panel, Black, 5" W x 66" H	9712-0108
78" Lacing Panel, Black, 5" W x 60" H	9712-0109



9712-0100 9712-0103 9712-0104



9712-0108 & 9712-0109

Hole Pattern for Vertical Lacing Panels

Pattern has been designed to accommodate a variety of wiring options. The .375" square holes accept a 'cage' style nut. The .250" dia. holes can be used for cable ties, 10-32 screws and nuts, or for attaching bracketry with push-in plastic rivets.

Networking Racks & Enclosures



XUS Ultra Server Enclosure with front and rear doors, side panels and EIA mounting rails installed. Part No. shown: XUS84-3-124420.



XUSD Ultra Deep Server Frame with EIA mounting rails installed.



Optional Anti-tip Device protects the XUS and XUSD Enclosure styles from tipping when servers and shelves are extended.

Ultra Server Enclosures

XUS (Standard) and XUSS (Seismic Rated) Styles:
24" Wide x 36" Deep

XUSD (Standard Deep) and XUSDS (Seismic Rated Deep)
Styles: 24" Wide x 42" Deep

Applications

Especially designed for server farms and Data Center applications, these enclosures offer a choice in depths: 36" XUS/XUSS style and 42" XUSD/XUSDS style. The greater depths these enclosure styles accommodate are ideally suited for standard servers and blade server hosting.

Design & Structural Features

- Freestanding welded frame with modular construction.
- Frame heights: 78" (XUS only), 84" (all styles).
- Allows for mounting of 19" wide equipment.
- Includes three pairs of EIA-310 style mounting rails with hardware.
- Includes casters and levelers.
- Perforated doors feature low resistance pattern (63% opening) to optimize cold aisle/hot aisle layout.
- Forced air heat removal options:
 - fanned top (up to 550 CFM)
 - fanned rear door (up to 940 CFM)
- Grounding Kits available—see Components and Accessories section.



The Ultra Server Seismic Rated Enclosure.

Seismic Rated Version

The Ultra Server (XUSS) and the Ultra Deep Server (XUSDS) are available in a Zone 4 Seismic rated version. These enclosures have been tested and approved to meet or exceed Network Equipment Building System (NEBS) requirements for Earthquake Zone 4 conditions, Bellcore GR-063-CORE, Section 5.4.1 certification.

Co-Lo Server

2 and 3 compartment units are available on request.

TECHNICAL SPECIFICATIONS

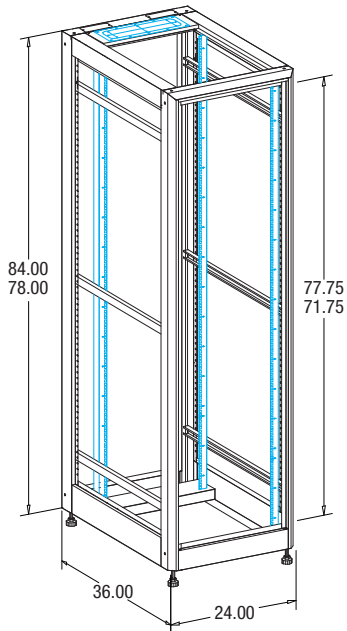
ENCLOSURE SIZE	H	W	D	FRAME WEIGHT	MOUNTING	ENCLOSURE WEIGHT*	LOAD CAPACITY**	RACK SPACES	USABLE DEPTH	
									At Latch	To Inside of Door
XUS78-3-100000 Frame, 3 pr 19" Mounting Rails, Casters and Levelers	78"	24"	36"	210 lbs.	19"	380 lbs.	2000 lbs.	42U	33.5"	34.5"
XUS84-3-100000 Frame, 3 pr 19" Mounting Rails, Casters and Levelers	84"	24"	36"	220 lbs.	19"	400 lbs.	2000 lbs.	45U	33.5"	34.5"
XUSD84-3-100000 Frame, 3 pr 19" Mounting Rails, Casters and Levelers, Ground Lug	84"	24"	42"	250 lbs.	19"	485 lbs.	2000 lbs.	45U	39.5"	40.5"
XUSS84-3-000000 Frame, 3 pr 19" Mounting Rails, Casters and Levelers	84"	24"	36"	350 lbs.	19"	600 lbs.	2000 lbs.	45U	33.5"	34.5"
XUSDS84-3-000000 Frame, 3 pr 19" Mounting Rails, Casters and Levelers	84"	24"	42"	390 lbs.	19"	650 lbs.	2000 lbs.	45U	39.5"	40.5"

* Enclosure weight is an estimate for shipping a fully configured cabinet with Top, Doors, Sides and Power Strip.

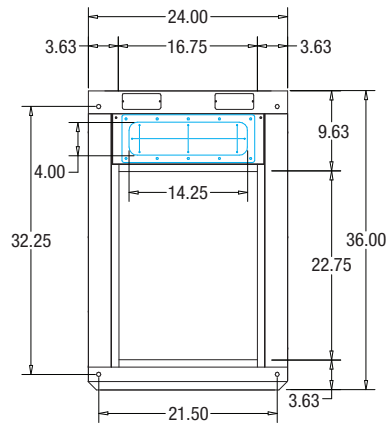
** Load capacity on levelers.

Ultra Server Enclosures

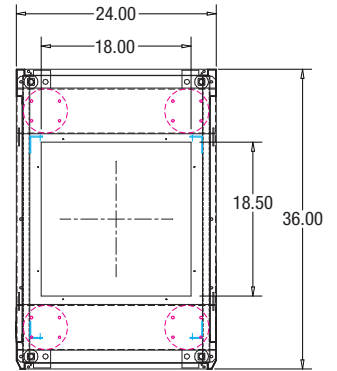
DIMENSIONS



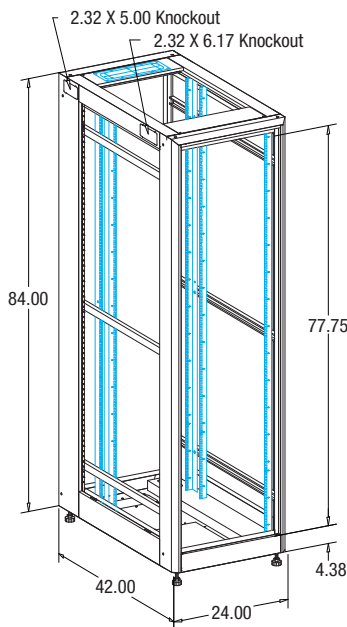
XUS Front



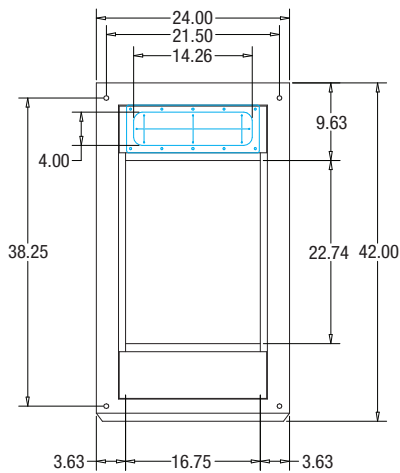
XUS Top



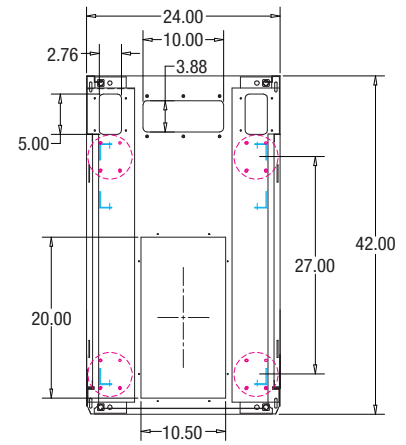
XUS Bottom



XUSD Front



XUSD Top



XUSD Bottom

Networking Racks & Enclosures

Ultra Server Enclosures

HOW TO ORDER

Belden uses a simplified ordering matrix, allowing you to easily configure the enclosure you want with the appropriate frame style, size and components. Make your selections and fill in each of the boxes shown in the matrix below.

ULTRA SERVER STANDARD ENCLOSURES (XUS AND XUSD)

#	Description
78	78" – 42U (XUS only)
84	84" – 45U

FRONT DOOR

XUS	XUSD	Description
3	1	Glass Vented Swing
4	5	Perforated Swing
5	2	Rigid Perforated Swing
6	3	Split Perforated Swing
0	0	None

SIDES

#	Description
1	One Solid Side
2	Two Solid Sides
0	None

FRAME STYLE

#	Description
XUS	(24" W x 36" D)
XUSD	(24" W x 42" D)

COLOR

#	Description
2	Beige
3	Black

MOUNTING - Incl. 3 pr. Rails

#	Description
1	19" 6mm, cage nut

TOP PANEL

#	Description
1	Perforated
2	10" Diameter Fan
3	4" Diameter Fan
4	Solid
0	None

REAR DOOR

XUS	XUSD	Description
3	4	Glass Vented Swing
4	3	Perforated Swing
5	1	Rigid Perforated Swing
6	2	Split Perforated Swing
7	7	Split Fan (8) 4" (640 CFM)
8	8	Solid Fan (4) 7" (940 CFM)
0	0	None

POWER STRIPS

#	Description
2	4' 14 Outlet 15 Amp Surge Suppressor, 10' Cord
3	2' 8 Outlet 15 Amp/10' Cord
4	19" Rack Mount 6 Outlet (Rear) 15 Amp/10' Cord
5	19" Rack Mount 6 Outlet (Rear) Surge Suppressor, 15 Amp/10' Cord
6	4' 14 Outlet Surge Suppressor, 20 Amp/10' Cord
7	2' 8 Outlet 20 Amp/10' Cord
8	66" 20 Outlet Surge Suppressor, 20 Amp/10' Cord
0	None

ULTRA SERVER SEISMIC-RATED ENCLOSURES (XUSS AND XUSDS)

#	Description
84	84" – 45U

FRONT DOOR

#	Description
1	Glass Vented w/ 3 pt. Latch
2	Perforated w/ 3 pt. Latch

SIDES

#	Description
1	One Solid Side
2	Two Solid Sides

FRAME STYLE

#	Description
XUSS	(24" W x 36" D)
XUSDS	(24" W x 42" D)

COLOR

#	Description
3	Black

TOP PANEL

#	Description
1	Perforated
2	10" Diameter Fan
3	4" Diameter Fan
4	Solid

REAR DOOR

#	Description
1	Glass Vented w/ 3 pt. Latch
2	Perforated w/ 3 pt. Latch

POWER STRIP

#	Description
2	4' 14 Outlet 15 Amp Surge Suppressor, 10' Cord
3	2' 8 Outlet 15 Amp/10' Cord
4	19" Rack Mount 6 Outlet (Rear) 15 Amp/10' Cord
5	19" Rack Mount 6 Outlet (Rear) Surge Suppressor, 15 Amp/10' Cord
6	4' 14 Outlet Surge Suppressor 20 Amp/10' Cord
7	2' 8 Outlet 20 Amp/10' Cord
8	66" 20 Outlet Surge Suppressor, 20 Amp/10' Cord
0	None

COLORS



Beige (2) - Available on Request (XUS and XUSD only)

Black (3) - Standard

Ultra Server Enclosures

PRE-CONFIGURED ENCLOSURES

Using the same ordering matrix, the most popular enclosure configurations for the XUS and XUSD Standard and Seismic-rated styles are listed here with

their respective part numbers. For your convenience, you can review these assemblies to see if there is one that matches your requirements.

ENCLOSURE	DESCRIPTION	ORDERING NUMBER
Ultra Server	78" Black, 19" Mounting, Perforated Top, Glass Vented Front Door, Perforated Rear Door, Two Solid Side Panels	XUS78-3-113420
Ultra Server	78" Black, 19" Mounting, 10" Fan Top, Rigid Perforated Front Door, Rigid Perforated Rear Door, Two Solid Side Panels	XUS78-3-125520
Ultra Server	84" Black, 19" Mounting, 10" Fan Top, Perforated Front Door, Split Perforated Rear Door, No Sides	XUS84-3-124600
Ultra Server	84" Black, 19" Mounting, 10" Fan Top, Perforated Front Door, Split Perforated Rear Door, Two Solid Side Panels	XUS84-3-124620
Ultra Server	84" Black, 19" Mounting, Solid Top, Rigid Perforated Front Door, Solid w/4-7" Fan Rear Door (940 cfm), No Sides	XUS84-3-145800
Ultra Server	84" Black, 19" Mounting, Solid Top, Rigid Perforated Front Door, Solid w/4-7" Fan Rear Door (940 cfm), Two Solid Side Panels	XUS84-3-145820
Ultra Deep Server	84" Black, 19" Mounting, Perforated Top, Perforated Front Door, Split Perforated Rear Door, No Sides	XUSD84-3-115200
Ultra Deep Server	84" Black, 19" Mounting, Perforated Top, Perforated Front Door, Split Perforated Rear Door, Two Solid Side Panels	XUSD84-3-115220
Ultra Deep Server	84" Black, 19" Mounting, 10" Fan Top, Glass Vented Front Door, Rigid Perforated Rear Door, No Sides	XUSD84-3-121100
Ultra Deep Server	84" Black, 19" Mounting, 10" Fan Top, Glass Vented Front Door, Rigid Perforated Rear Door, Two Solid Side Panels	XUSD84-3-121120
Ultra Deep Server	84" Black, 19" Mounting, Solid Top, Rigid Perforated Front Door, Solid w/4-7" Fan Rear Door (940 cfm), No Sides	XUSD84-3-142800
Ultra Deep Server	84" Black, 19" Mounting, Solid Top, Rigid Perforated Front Door, Solid w/4-7" Fan Rear Door (940 cfm), Two Solid Side Panels	XUSD84-3-142820
Seismic Ultra Server	84" Black, 19" Mounting, Perforated Top, Glass Vented Front Door, Perforated Rear Door, One Solid Side Panel	XUSS84-3-11210
Seismic Ultra Server	84" Black, 19" Mounting, Perforated Top, Glass Vented Front Door, Perforated Rear Door, Two Solid Side Panels	XUSS84-3-11220
Seismic Ultra Server	84" Black, 19" Mounting, 10" Fan Top, Perforated Front Door, Perforated Rear Door, One Solid Side Panel	XUSS84-3-22210
Seismic Ultra Server	84" Black, 19" Mounting, 10" Fan Top, Perforated Front Door, Perforated Rear Door, Two Solid Side Panels	XUSS84-3-22220
Seismic Ultra Deep Server	84" Black, 19" Mounting, Perforated Top, Glass Vented Front Door, Perforated Rear Door, One Solid Side Panel	XUSDS84-3-11210
Seismic Ultra Deep Server	84" Black, 19" Mounting, Perforated Top, Glass Vented Front Door, Perforated Rear Door, Two Solid Side Panels	XUSDS84-3-11220
Seismic Ultra Deep Server	84" Black, 19" Mounting, 10" Fan Top, Perforated Front Door, Perforated Rear Door, One Solid Side Panel	XUSDS84-3-22210
Seismic Ultra Deep Server	84" Black, 19" Mounting, 10" Fan Top, Perforated Front Door, Perforated Rear Door, Two Solid Side Panels	XUSDS84-3-22220

Note: Seismic Servers cannot be configured with A/C Units.

OPTIONS

Note: Listed part numbers are for Black components; replace the last number with the appropriate code for alternate color (2 = Beige).

DESCRIPTION	ORDERING NUMBER	
FRONT/REAR DOORS	XUS & XUSD	XUSS & XUSDS
TEMPERED GLASS VENTED DOORS with Swing Handle Latch & Lock		
Tempered Glass Vented Door – 78"	7824-DSVF-3	—
Tempered Glass Vented Door – 84"	8424-DSVF-3	—
Tempered Glass Vented Door – 3 Pt. Latch & Lock – 84"	—	8424-SEIPV-3
PERFORATED DOORS with 63% Opening and Swing Handle Latch & Lock		
Perforated Door – 78"	7824-SPR-3D	—
Perforated Door – 84"	8424-SPR-3D	—
Perforated Door – 3 Pt. Latch & Lock – 84"	—	8424-SEIPR-3
Rigid Perforated Door – 78"	7824-DSPR-3	—
Rigid Perforated Door – 84"	8424-DSPR-3	—
Split (French Style) Perforated Doors – 78"	7824-DSSR-3	—
Split (French Style) Perforated Doors – 84"	8424-DSSR-3	—
FAN DOORS with Swing Handle Latch & Lock		
Split Fan Cavity Door (8-4" Fans = 640 CFM) – 78"	7824-DSSF-3	—
Split Fan Cavity Door (8-4" Fans = 640 CFM) – 84"	8424-DSSF-3	—
Full Fan Cavity Door (4-7" Fans = 940 CFM) – 78"	7824-DSFR-3	—
Full Fan Cavity Door (4-7" Fans = 940 CFM) – 84"	8424-DSFR-3	—



Tempered Glass Vented Door



Perforated Door



Rigid Perforated Door



Split (French Style) Perforated Doors

Ultra Server Enclosures

OPTIONS		
DESCRIPTION	ORDERING NUMBER	
SINGLE SIDE PANELS		
	XUS & XUSD	XUSS & XUSDS
1 Lift-off Side Panel with Lock – 78"	7836-01-SP-3	—
1 Lift-off Side Panel with Lock – 84"	8436-01-SP-3	—
Solid Side Panel, bolt on from inside – 84"	—	8436-01-SEISP-3
Solid Side Panel, bolt on from inside – 84"	—	8442-01-SEISP-3
REMOVABLE TOPS		
Solid	2430-TP-1-3	2430-TP-1-3
10" Diameter Fan (550 CFM)	2430-TP-3-3	2430-TP-3-3
4" Diameter Fan (Four = 320 CFM)	2430-TP-4-3	2430-TP-4-3
Perforated	2430-TP-6-3	2430-TP-6-3
VERTICAL MANAGERS (Available in Black only)		
Corner Mount Vertical Cable Management Ring 3" x 3" w/velcro strap	9712-0100	9712-0100
Vertical Cable Ring, 1U Cable Manager, 1" W x 2" D	9712-0103	9712-0103
Vertical Cable Organizer, 36" H x 2" x 3" w/Quick Touch	9712-0104S	9712-0104S
Single M-Clip (XUSD only)	9712-0106	9712-0106
Double M-Clip (XUSD only)	9712-0107	9712-0107
84" Lacing Panel, Black, 5" W x 66" H	9712-0108S	9712-0108S
78" Lacing Panel, Black, 5" W x 60" H	9712-0109S	9712-0109S
76.5" Steel Vertical Cable Trough (XUSD only)	433-5114	—
ANTI-TIP DEVICES		
Anti-tip Device for Ultra Server, Black	XUS-ATD-0010-3	—
Anti-tip Device for Ultra Deep Server, Black	XUSD-ATD-0010-3	—



10" Fan Top



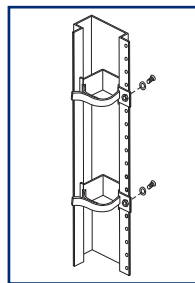
(4) 4" Fan Top



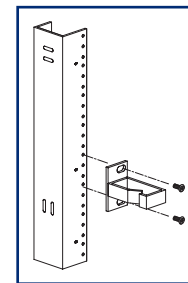
Solid Top



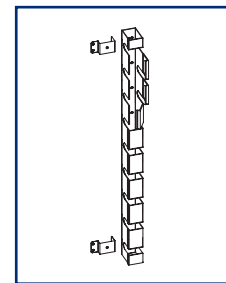
Perforated Top



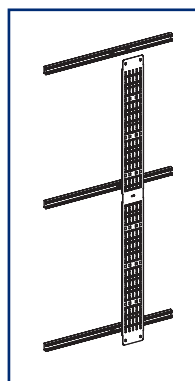
9712-0100



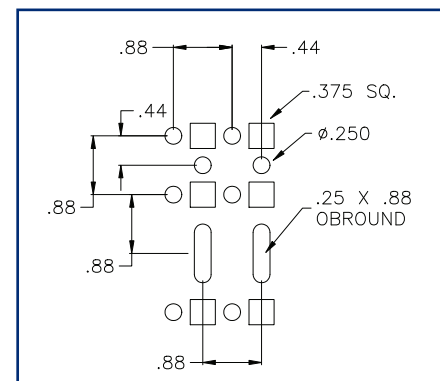
9712-0103



9712-0104S



9712-0108S &
9712-0109S



Hole Pattern for Vertical Lacing Panels

Pattern has been designed to accommodate a variety of wiring options. The .375" square holes accept a 'cage' style nut. The .250" dia. holes can be used for cable ties, 10-32 screws and nuts, or for attaching bracketry with push-in plastic rivets.



XNM Style NEMA-12 Enclosure with front and rear doors, side panels, EIA mounting rails and optional side-mounted Air Conditioning unit. Part No. shown: XNM84-3-112120.

NEMA-12 Enclosures

XNM Style: 29" Wide x 40"

Applications

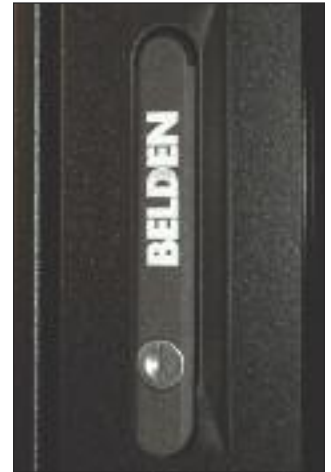
Dust free enclosures with an overall depth of 40" help organize and secure process control equipment, servers, UPS systems and battery back-ups.

Meets Nema-12

This enclosure is NEMA-12 compliant.

Design & Structural Features

- Dust free environment.
- Freestanding welded frame with modular construction.
- 29" wide x 40" depth.
- Frame height: 84"
- Mounting rails are adjustable to either 19" or 23" EIA spacing.
- Grounding Kits available – see Components and Accessories section.



3-point compression style lift and turn latch system.

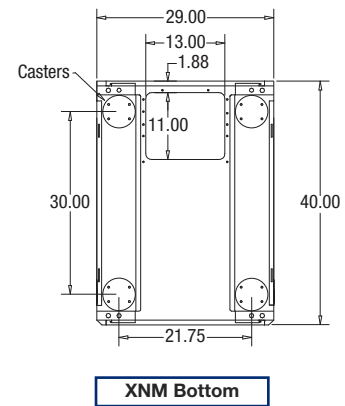
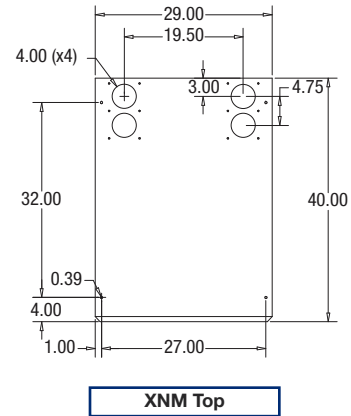
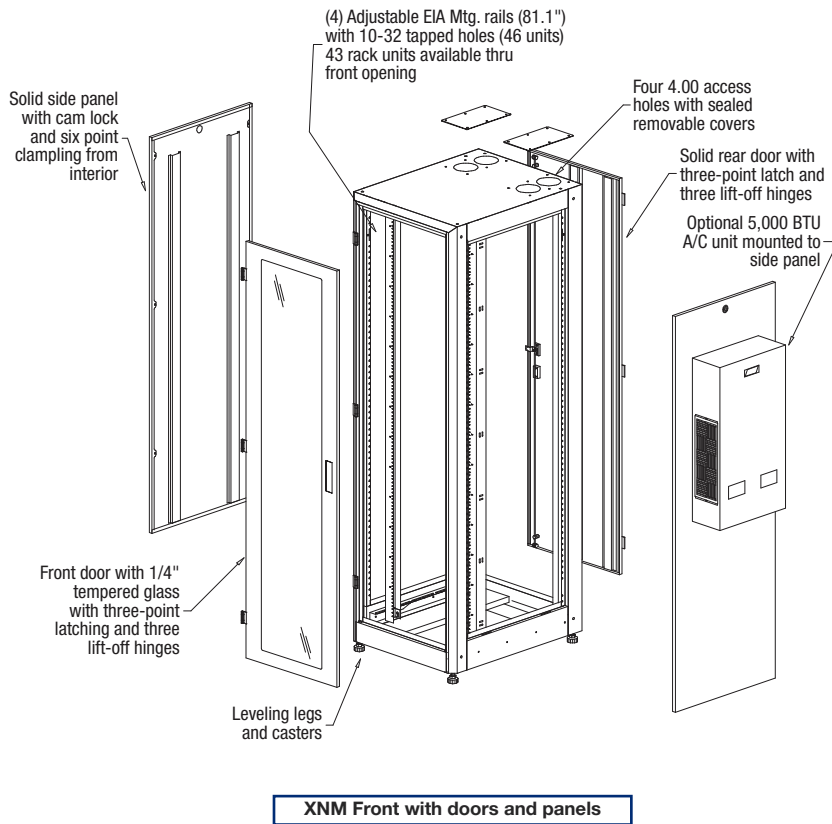


Optional secure flush keyboard compartment with lock.

Networking Racks & Enclosures

NEMA-12 Enclosures

DIMENSIONS



TECHNICAL SPECIFICATIONS

ENCLOSURE SIZE	H	W	D	MOUNTING	ENCLOSURE WEIGHT*	LOAD CAPACITY**	RACK SPACES	USABLE DEPTH	
								At Latch	To Inside of Door
XNM84-3-100000	84"	29"	40"	19" or 23"	462 lbs.	2000 lbs.	45U	37.5"	38.5"

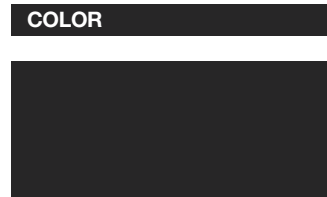
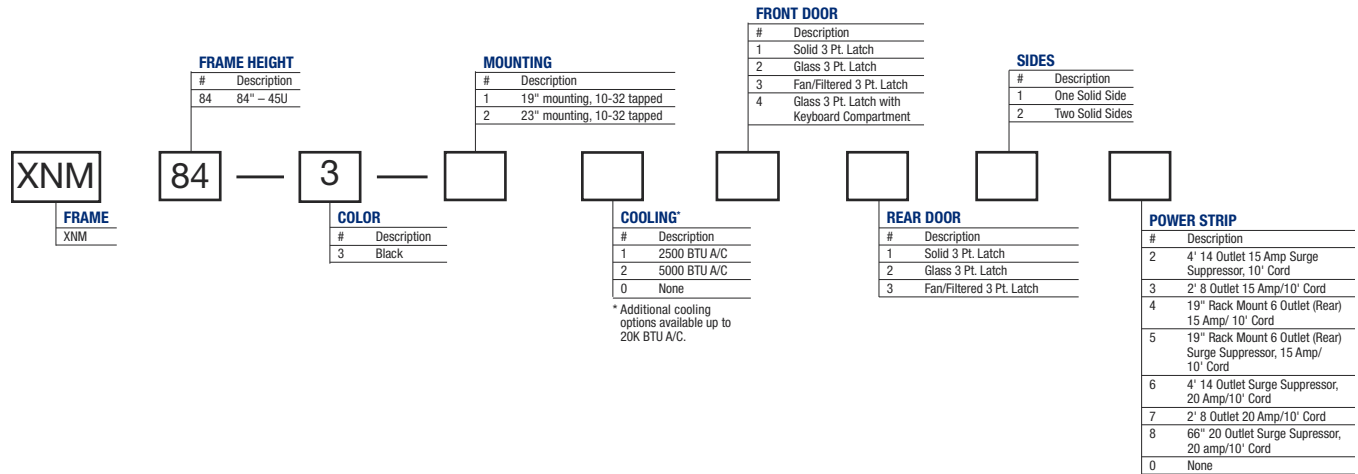
* Enclosure weight is an estimate for shipping a fully configured cabinet with Top, Doors, Sides and Power Strip.

** Load capacity on levelers.

NEMA-12 Enclosures

HOW TO ORDER

Belden uses a simplified ordering matrix, allowing you to easily configure the enclosure you want with the appropriate frame style, size and components. Make your selections and fill in each of the boxes shown in the matrix below.



Black (3) - Standard

PRE-CONFIGURED ENCLOSURES

Using the same ordering matrix, the most popular enclosure configurations for the XNM style are listed here with their respective part numbers.

For your convenience, you can review these assemblies to see if there is one that matches your requirements.

ENCLOSURE	DESCRIPTION	ORDERING NUMBER
Nema-12, 84"	Black, 19" Mounting Rails, 5000 BTU A/C Side Unit, Glass Front Door, Solid Rear Door, Two Solid Sides	XNM84-3-122120
Nema-12, 84"	Black, 19" Mounting Rails, Glass Front Door With Keyboard Compartment, Fan/Filtered Rear Door, Two Solid Sides	XNM84-3-104320
Nema-12, 84"	Black, 19" Mounting Rails, 2500 BTU A/C Side Unit, Solid Front Door, Solid Rear Door, Two Solid Sides	XNM84-3-111120

OPTIONS

DESCRIPTION	ORDERING NUMBER
FRONT/REAR DOORS	
Solid w/3 pt. Swing Handle Latch & Lock	8429-NSD-3
Tempered Glass w/3 pt. Swing Handle Latch & Lock	8429-NGD-3
Fan/Filtered (7" fan = 235 cfm) with 3 pt. Swing Handle Latch & Lock	8429-NFD-3
Tempered Glass w/Keyboard Compartment with Fan/Filtered Latch	8429-NKD-3
SIDE PANELS	
One Solid w/lock	8440-01-NSP-3
Two Solid w/lock	8440-02-NSP-3

Networking Racks & Enclosures

Distribution and Server Racks

High-density Racking System

HDRS Modular System of Racks and Components

84" Height with 19" or 23" Mounting



HDRS Modular High-density Racking System

Applications

These high-reliability products have been designed specifically for networking environments – from telecom closets to world-class data centers – to help you make the best use of valuable real estate and simplify MACs (Moves, Adds and Changes).

The HDRS is a well-engineered platform that offers you a high level of versatility and flexibility in systems design for ultimate network density and manageability.

How It Works

Create exactly the racking system you need from our selection of steel and aluminum distribution and server racks, combined with more than 50 standard cable management components and accessories. These items have been designed for complete compatibility and integration. The components include:

- Distribution and server racks in aluminum or steel, knockdown or welded; 2 or 4 posts.

- Choice of low- or high-density vertical cable managers in single or double-sided configurations.
- Two symmetrical manager half doors.
- Horizontal cable managers with bend radius control and double hinge cover.
- Accessories: Retention Gates, Divider Bars, Transition Channels and more.

How To Order

Select any of the Distribution and Server Rack styles (see Technical Specifications tables in the following pages).

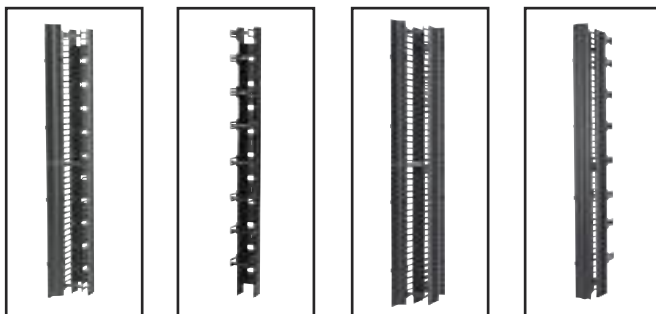
Select any of the Vertical Cable Managers listed for Distribution and Server Racks (see Options tables in the following pages).

Choose any of the Accessories for the BHV Vertical Managers, Horizontal Managers or Transition Channels (see the Options tables in the following pages).

HDRS Vertical Manager Capacity

SINGLE-SIDED MANAGER				# of cable 35% fill	
High	Low	Width (In.)	Depth (In.)	Cat 6 0.25	Cat 6A 0.31
BHVH003	BHVL003	3.6	8.75	194	126
BHVH006	BHVL006	6	8.75	321	209
BHVH010	BHVL010	10	8.75	535	348
BHVH012	BHVL012	12	8.75	642	417

DOUBLE-SIDED MANAGER				# of cable 35% fill	
High/High	High/Low	Width (In.)	Depth (In.)	Cat 6 0.25	Cat 6A 0.31
BHVHH03	BHVHL03	3.6	17.37	388	252
BHVHH06	BHVHL06	6	17.37	642	417
BHVHH10	BHVHL10	10	17.37	1070	696
BHVHH12	BHVHL12	12	17.37	1283	835

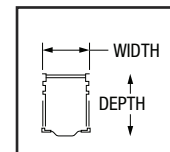


BHVH006
High-density,
Single-sided
Vertical Manager

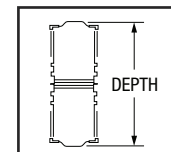
BHVL006
Low-density,
Single-sided
Vertical Manager

BHVHH06
High-density,
Double-sided
Vertical Manager

BHVHL06
High/low-density,
Double-sided
Vertical Manager



Single-sided



Double-sided

Distribution and Server Racks

High-density Racking System

System Features

Unmatched density

- Designed to work hand-in-hand with Belden connectivity and cable products for unmatched density – cable management fingers align with rack RU's allowing for patch cords to be routed directly to the vertical manager without need for a horizontal manager.

High level of modularity

- This hallmark feature of Belden's racking systems is enabled by ease of removal or movement of components, as well as by the wide selection of components we offer.
- The completely interchangeable cable retention gates, doors, fingers and accessories in our systems allow you to adapt them to your own specific needs.

Vertical manager part sets

- Each vertical manager configuration includes a complete set of necessary basic components, including doors (on high-density managers), gates, push-in fasteners, cable strap mounts, cable retainer bars and mounting hardware.

Modular, removable finger sections

- Available in high or low density. For high density, these come in handy 11U high sections and screw into a vertical manager. The finger sections can be conveniently taken out during reconfigurations and modules are easily replaced if fingers are broken. On the high-density manager, the fingers are aligned with the rack units, allowing for patch cords to be routed directly to the vertical manager. This eliminates the need to use a horizontal manager and saves space.

System scalability

- The HDRS is very easily reconfigured and modified to handle future system growth, add-ons, or changes.

Compatibility of vertical managers

- Compatible with any EIA-310-D compliant 2- and 4-post racks.

Mixed media application

- Designed to handle both copper and optical fiber structured cable networks.

Accessory mounting holes

- Quarter-inch diameter mounting holes run entire length of each vertical manager to permit easy attachment of accessories – e.g., cable bundle fasteners.

Any-point-to-any-point routing capability

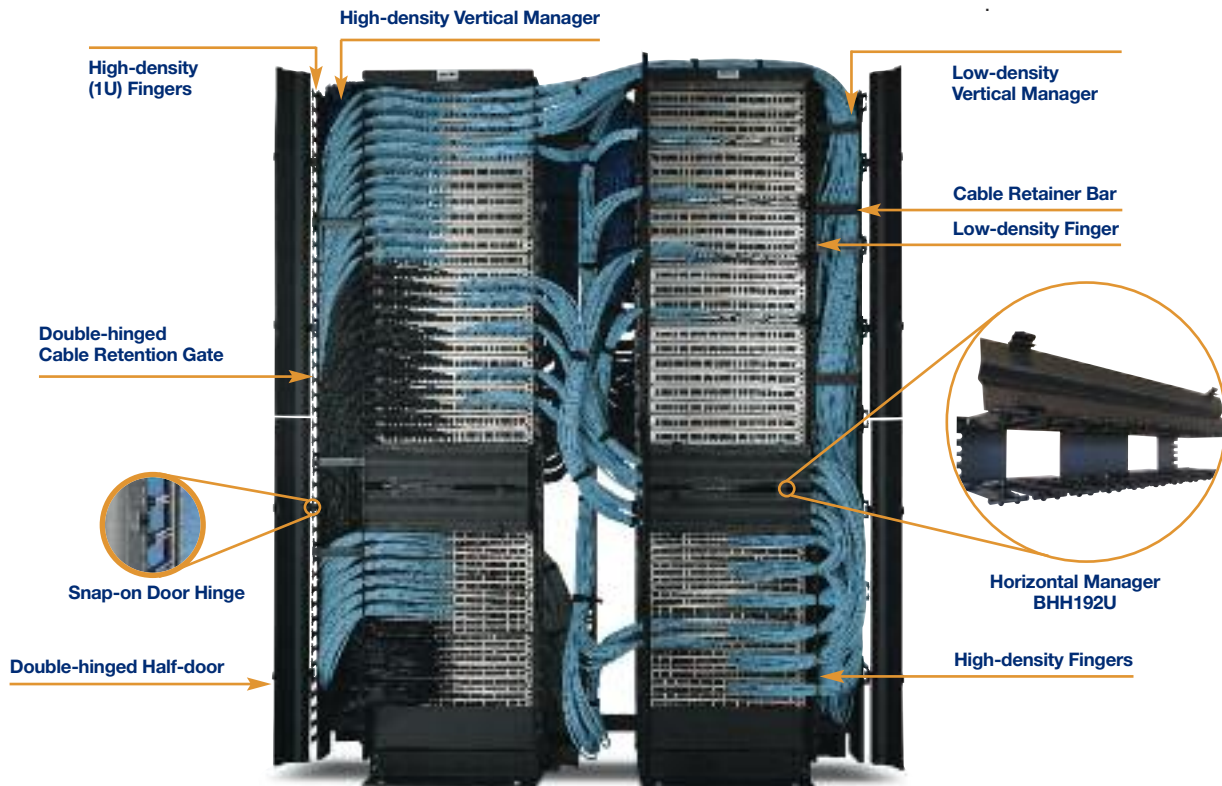
- It's easy to route your cable from a given patch panel to another panel within the same rack, to the back of the rack, or to an adjacent rack, while still maintaining the proper cable bend radius.

Easy installation

- Requires only the use of standard hand tools to install in minutes. After initial installation, reconfiguration and modification of the system in the field will be a snap.

Great aesthetics

- The professional look of Belden's sturdy new rack system, with its highly aesthetic flat-black finish, is suitable for display in any world class telecom environment. You'll be proud to show off your investment.



Networking Racks & Enclosures

Distribution & Server Racks

XDR (Standard) and XDRS (Seismic-rated) Type Steel Distribution Racks

BHRR Type Aluminum Distribution Racks
XDR Server Racks



Zone 4 Seismic-rated Distribution Rack Type XDRS. Part No. shown: XDRS8419-610.

Applications

Belden offers a complete line of open racks and rack accessories from single rack applications (retail, telecom closed) to high-density, multi-rack patching and switching fields (computer room, data centers, central offices). Belden's unique cable and connectivity expertise was central in the design of a feature-rich racking system: ease of installation, ease with MACs and highly scalable.

Rack Features – 2- and 4-Post

- EIA-310 compliant, choice of 19" and 23" mounting.
- Equipment mounting hardware is included.
- 2 post rack uprights are front and rear tapped.
- Easy rack unit identification for faster install.
- Grounding stud standard on all 2 post and 4 post racks.
- Steel or Aluminum construction.
- Seismic certified options.
- Knockdown or welded construction.

Selection of Distribution Racks 2-Post

XDR Knockdown Steel Racks, #10-32 Tapped Front of Rails, 3" Channel with Base Kit or Angle Base

Heights: 48", 72" (with base kit) and 84" (with base kit or angle base)

Width: 19" or 23" mounting

Color: Black

XDR Welded Steel Racks, #10-32 Tapped 3" Channel with Angle Base

Height: 84"

Width: 19" or 23" mounting

Color: Black

XDRS Seismic-rated Steel Racks, #10-32 Tapped, 6" Channel with Angle Base

Height: 84"

Width: 19" or 23" mounting

Color: Black

BHRR Type Aluminum Racks, #12-24 Tapped with Knockdown 3" or 6" Channel

Height: 84"

Width: 19" or 23" mounting

Color: Black

Selection of Server Racks - 4 post

XDR Steel Server Racks, #10-32 or #12-24 Tapped

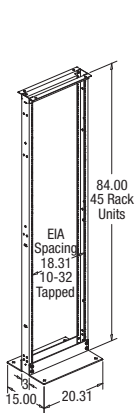
Height: 84"

Width: 19" or 23" mounting

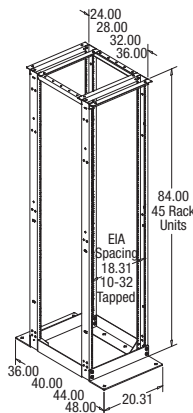
Depths: 24", 28", 32" or 36"

Color: Black

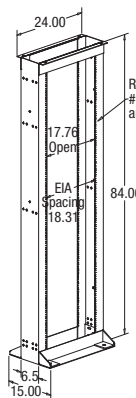
DIMENSIONS



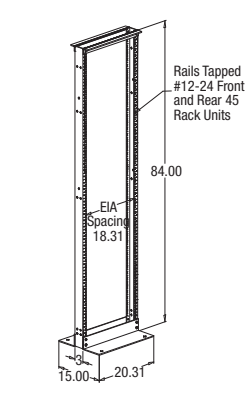
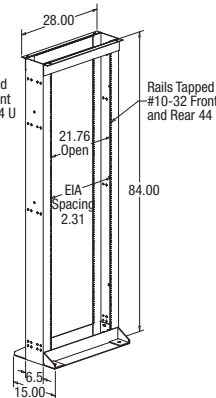
XDR8419-310 Rack (Steel)



Server Racks (Steel)



XDRS Seismic-rated Distribution Racks (Steel)



BHRR194 Distribution Racks (Aluminum)

Distribution & Server Racks

TECHNICAL SPECIFICATIONS						
DISTRIBUTION RACKS	DESCRIPTION	WEIGHT	MOUNTING	LOAD CAPACITY	RACK SPACES	ORDERING NUMBER
STEEL KNOCKDOWN – 2 POST						
48" Distribution Rack	#10-32 Tapped Front of Rails 3" Channel w/Base Kit	34 lbs.	19"	500 lbs.	25U	XDR-4819*
72" Distribution Rack	#10-32 Tapped Front of Rails 3" Channel w/Base Kit	43 lbs.	19"	500 lbs.	39U	XDR-7219*
84" Distribution Rack	#10-32 Tapped Front of Rails 3" Channel w/Base Kit	50 lbs.	19"	500 lbs.	45U	XDR-8419*
84" Distribution Rack	#10-32 Tapped 3" Channel w/Angle Base	63 lbs.	19"	1000 lbs.	44U	XDR8419-310
84" Distribution Rack	#10-32 Tapped 3" Channel w/Angle Base	70 lbs.	23"	1000 lbs.	44U	XDR8423-310
84" Distribution Rack	#12-24 Tapped 3" Channel w/Angle Base	63 lbs.	19"	1000 lbs.	44U	XDR8419-312
84" Distribution Rack	#12-24 Tapped 3" Channel w/Angle Base	70 lbs.	23"	1000 lbs.	44U	XDR8423-312
STEEL WELDED – 2 POST						
84" Distribution Rack	#10-32 Tapped 3" Channel w/Angle Base – Welded	66 lbs.	19"	1000 lbs.	44U	XDR8419-310W
84" Distribution Rack	#10-32 Tapped 3" Channel w/Angle Base – Welded	73 lbs.	23"	1000 lbs.	44U	XDR8423-310W
84" Distribution Rack	#12-24 Tapped 3" Channel w/Angle Base – Welded	66 lbs.	19"	1000 lbs.	44U	XDR8419-312W
84" Distribution Rack	#12-24 Tapped 3" Channel w/Angle Base – Welded	73 lbs.	23"	1000 lbs.	44U	XDR8423-312W
STEEL SEISMIC – 2 POST						
84" Distribution Rack	#10-32 Tapped 6" Channel w/Angle Base	105 lbs.	19"	900 lbs.	44U	XDRS8419-610
84" Distribution Rack	#10-32 Tapped 6" Channel w/Angle Base	115 lbs.	23"	900 lbs.	44U	XDRS8423-610
ALUMINUM – 2 POST						
84" Aluminum Relay Rack	#12-24 Tapped, Black, Knockdown 3" Channel	30 lbs.	19"	1200 lbs.	45U	BHRR194
84" Aluminum Relay Rack	#12-24 Tapped, Black, Knockdown 6" Channel	41 lbs.	19"	1200 lbs.	45U	BHRR6194
84" Aluminum Relay Rack	#12-24 Tapped, Black, Knockdown 3" Channel	32 lbs.	23"	1200 lbs.	45U	BHRR234
SERVER RACKS	DESCRIPTION	WEIGHT	MOUNTING	LOAD CAPACITY	RACK SPACES	ORDERING NUMBER
10-32 TAPPED – 4 POST (Posts are 3" Channels)						
84" Steel Rack	Depth 24"	107 lbs.	19"	1500 lbs.	44U	XDR8419-31024
84" Steel Rack	Depth 28"	110 lbs.	19"	1500 lbs.	44U	XDR8419-31028
84" Steel Rack	Depth 32"	112 lbs.	19"	1500 lbs.	44U	XDR8419-31032
84" Steel Rack	Depth 36"	115 lbs.	19"	1500 lbs.	44U	XDR8419-31036
84" Steel Rack	Depth 24"	115 lbs.	23"	1500 lbs.	44U	XDR8423-31024
84" Steel Rack	Depth 28"	117 lbs.	23"	1500 lbs.	44U	XDR8423-31028
84" Steel Rack	Depth 32"	120 lbs.	23"	1500 lbs.	44U	XDR8423-31032
84" Steel Rack	Depth 36"	123 lbs.	23"	1500 lbs.	44U	XDR8423-31036
12-24 TAPPED – 4 POST (Posts are 3" Channels)						
84" Steel Rack	Depth 24"	107 lbs.	19"	1500 lbs.	44U	XDR8419-31224
84" Steel Rack	Depth 28"	110 lbs.	19"	1500 lbs.	44U	XDR8419-31228
84" Steel Rack	Depth 32"	112 lbs.	19"	1500 lbs.	44U	XDR8419-31232
84" Steel Rack	Depth 36"	115 lbs.	19"	1500 lbs.	44U	XDR8419-31236
84" Steel Rack	Depth 24"	115 lbs.	23"	1500 lbs.	44U	XDR8423-31224
84" Steel Rack	Depth 28"	117 lbs.	23"	1500 lbs.	44U	XDR8423-31228
84" Steel Rack	Depth 32"	120 lbs.	23"	1500 lbs.	44U	XDR8423-31232
84" Steel Rack	Depth 36"	123 lbs.	23"	1500 lbs.	44U	XDR8423-31236

*Rack with base kit is not compatible with BH type vertical managers.

Distribution & Server Racks

OPTIONS

DESCRIPTION	ORDERING NUMBER
-------------	-----------------

VERTICAL CABLE MANAGERS

72" Vertical Manager (Compatible with 72" distribution rack XDR-7219)	XDR-7201
84" Vertical Cable Manager	XDR-8401
84" Vertical Cable Manager, Double sides w/removable cover	XDR-8403
Single Sided High Density Vertical Manager w/doors, 3 5/8"W x 84"H, Black	BHVVH003
Single Sided High Density Vertical Manager w/doors, 6"W x 84"H, Black	BHVVH006
Single Sided High Density Vertical Manager w/doors, 10"W x 84"H, Black	BHVVH010
Single Sided High Density Vertical Manager w/doors, 12"W x 84"H, Black	BHVVH012
Single Sided Low Density Vertical Manager w/o doors, 3 5/8"W x 84"H, Black	BHVL003
Single Sided Low Density Vertical Manager w/o doors, 6"W x 84"H, Black	BHVL006
Single Sided Low Density Vertical Manager w/o doors, 10"W x 84"H, Black	BHVL010
Single Sided Low Density Vertical Manager w/o doors, 12"W x 84"H, Black	BHVL012
Double Sided High Density Vertical Managers w/doors, 3 5/8"W x 84"H, Black	BHVHH03
Double Sided High Density Vertical Managers w/doors, 6"W x 84"H, Black	BHVHH06
Double Sided High Density Vertical Managers w/doors, 10"W x 84"H, Black	BHVHH10
Double Sided High Density Vertical Managers w/doors, 12"W x 84"H, Black	BHVHH12
High/Low Density Vertical Manager w/front door, 3 5/8"W x 84"H, Black	BHVHL03
High/Low Density Vertical Manager w/front door, 6"W x 84"H, Black	BHVHL06
High/Low Density Vertical Manager w/front door, 10"W x 84"H, Black	BHVHL10
High/Low Density Vertical Manager w/front door, 12"W x 84"H, Black	BHVHL12

ACCESSORIES FOR BHV VERTICAL MANAGERS

3 5/8"W, Black, Vertical Manager Backcover	BHBC03X
6"W, Black, Vertical Manager Backcover	BHBC06X
10"W, Black, Vertical Manager Backcover	BHBC10X
12"W, Black, Vertical Manager Backcover	BHBC12X
3 5/8"W, Black, Vertical Manager Doors (1 pr)	BHDK03X
6"W, Black, Vertical Manager Doors (1 pr)	BHDK06X
10"W, Black, Vertical Manager Doors (1 pr)	BHDK10X
12"W, Black, Vertical Manager Doors (1 pr)	BHDK12X
Slack Management Spool Kit, Black	BHSP020
Slack Management Spools (2), Black	BHSP020
Gate Kit, 3 5/8"W, Black	BHGL03X
Gate Kit, 6"W, Black	BHGL06X
Gate Kit, 10"W, Black	BHGL10X
Gate Kit, 12"W, Black	BHGL12X

OPTIONS

DESCRIPTION	ORDERING NUMBER
-------------	-----------------

ACCESSORIES FOR BHV VERTICAL MANAGERS (CONTINUED)

Retention Gate (6) 3 5/8"W, Black	BHGR03X
Retention Gate (6) 6"W, Black	BHGR06X
Retention Gate (6) 10"W, Black	BHGR10X
Retention Gate (6) 12"W, Black	BHGR12X
Finger Section, 11U, Black	BHFS11U
Rack Mount Finger Bracket, 11U, Black	BHFB11U
Divider Bar, 3 5/8"W, Black	BHDB03X
Divider Bar, 6"W, Black	BHDB06X
Divider Bar, 10"W, Black	BHDB10X
Divider Bar, 12"W, Black	BHDB12X
Fastener for Vertical Manager (100)	BHPF100
Tie Mount for Vertical Manager (100)	BHSM100

HORIZONTAL MANAGERS AND TRANSITION CHANNELS

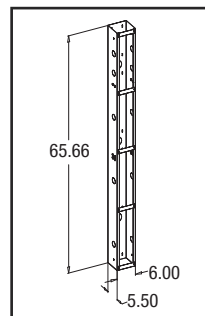
DESCRIPTION	ORDERING NUMBER
-------------	-----------------

HORIZONTAL MANAGER WITH COVER

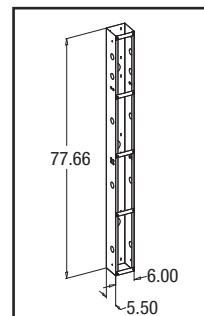
19"W x 1U, Black	BHH191U
19"W x 2U, Black	BHH192U
19"W x 3U, Black	BHH193U
23"W x 1U, Black	BHH231U
23"W x 2U, Black	BHH232U
23"W x 3U, Black	BHH233U

TRANSITION CHANNEL

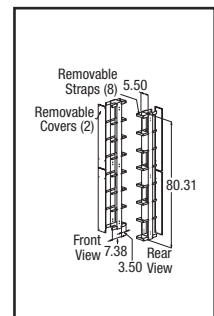
Top Transition Channel, 19"W x 6"D, Black	BHTT196
Lower Transition Channel, 19"W x 6"D, Black	BHTL196
Lower Transition Channel Double, 19"W x 6"D, Black	BHTD196
Transition Tray (rack to rack)	BHTR196
Top Transition Channel, 23" W x 6"D, Black	BHTT236
Lower Transition Channel, 23"W x 6"D, Black	BHTL236
Lower Transition Channel Double, 23"W x 6"D, Black	BHTD236



XDR-7201
Vertical Manager



XDR-8401
Vertical Manager



XDR-8403
Vertical Manager

Rack Kits

Rack Kits – 2 post

Rack Kits are designed for copper cabling. BH type vertical managers (See pages 27, 30) should be used for copper/fiber systems.

Rack Kits are available in welded and knock-down construction. All units feature one rack with either one or two vertical and two horizontal channels.

AX Copper Rack Kit – Welded or knockdown, two vertical and two horizontal channels

Height: 84"

Width: 19"

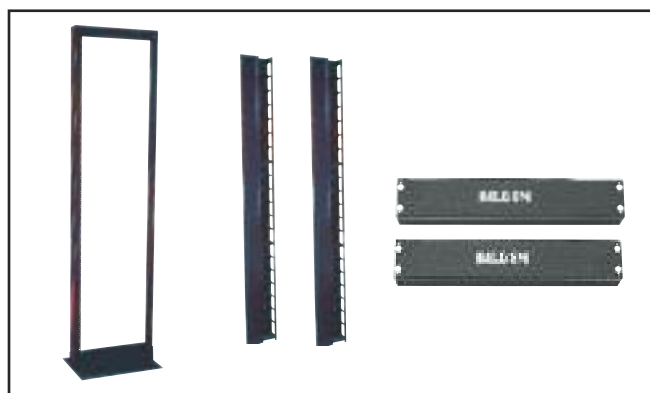
Color: Black

AX Floor Mount Rack – Welded (19" only) or knockdown (19" or 23"), two horizontal channels

Height: 84"

Width: 19" or 23"

Colors: Black



AX101174 Rack Kit - Includes AX101180 Vertical Managers (2) and AX101178 Knockdown Rack with Horizontal Channels (2)

TECHNICAL SPECIFICATIONS

COPPER RACK KIT ASSEMBLY	DESCRIPTION	WEIGHT	MOUNTING	LOAD CAPACITY	RACK SPACES	ORDERING NUMBER
WELDED	(One Rack With Two Vertical & Two Horizontal Channels), Black, 19" x 84" (7'), 66 Kg	145 lbs.	19"	1000 lbs.	44U	AX101174
KNOCKDOWN	Knock-Down Rack Assembly, (One Rack With Two Vertical & Two Horizontal Channels), Black, 19" x 84" (7'), 66 Kg	145 lbs.	19"	1000 lbs.	44U	AX101175
FLOOR MOUNT RACK ASSEMBLY						
KNOCKDOWN	(With Two Horizontal Channels), Black, 19" x 84" (7'), 30 kg	65 lbs.	19"	1000 lbs.	44U	AX101178
KNOCKDOWN	(With Two Horizontal Channels), Black, 23" x 84" (7'), 32 kg	70 lbs.	19"	1000 lbs.	44U	AX100931
WELDED	(With Two Horizontal Channels), Black, 19" x 84" (7'), 30 Kg	65 lbs.	19"	1000 lbs.	44U	AX101179

OPTIONS

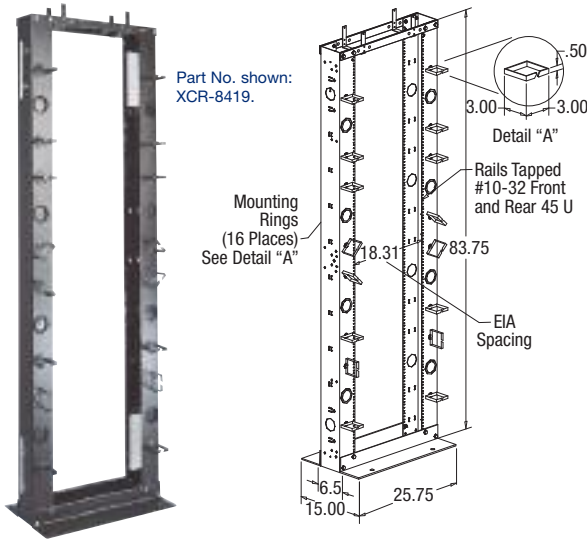
DESCRIPTION	ORDERING NUMBER
VERTICAL CABLE MANAGERS, WITH FRONT DOOR	
Black, 84"H x 5.6"W x 7.25"D, Knockdown, One Manager	AX101180

Networking Racks & Enclosures

Cable Management Rack

XCR Type Cable Management Rack

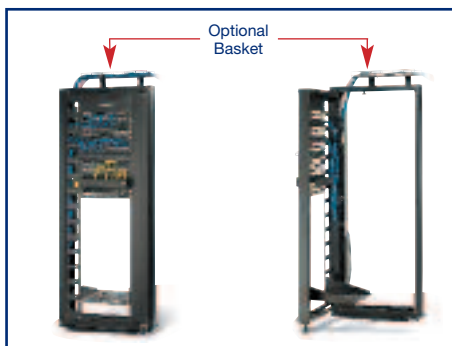
#10-32 Front and Rear Tapped, Knockdown Construction
Height 84", Width: 19" Mounting, Color: Black



XCR Cable Management Racks (Aluminum)

TECHNICAL SPECIFICATIONS

DISTRIBUTION RACKS	DESCRIPTION	WEIGHT	MOUNTING	LOAD CAPACITY	RACK SPACES	ORDERING NUMBER
84" Aluminum Cable Management Rack	#10-32 Tapped, Black, Knockdown 5" Channel Including 16 Cable Management Rings	53 lbs.	19"	750 lbs.	45U	XCR-8419



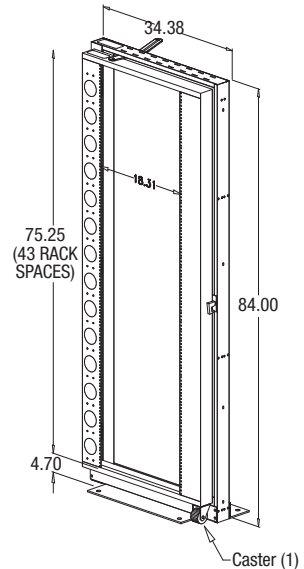
XSW-8419 Swing Rack (shown with equipment mounted).

Swing Racks

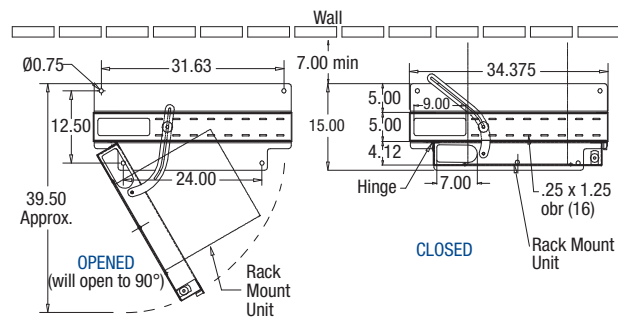
XSW Type Free-Standing Swing Rack

The Swing Rack provides easy access to the rear of rack mounted equipment in a free-standing environment. It is ideal for applications where space is limited and rear access is essential.

- Rack can be assembled as a left or right hinge and open 90 degrees.
- Rack can be positioned as close as 7" from wall.
- Equipment up to 18.5" deep can be pivoted.
- Cable management allows for cable routing without interference of the swing rack.
- Racks can be bolted side-to-side.
- Friction lock prevents rack movement while servicing.



XSW Front View



XSW Top View

TECHNICAL SPECIFICATIONS

	DESCRIPTION	WEIGHT	MOUNTING	LOAD CAPACITY	RACK SPACES	ORDERING NUMBER
SWING RACKS	84" Swing-out Distribution Rack	179 lbs.	19"	500 lbs.	34U	XSW-8419
ACCESSORIES	(Sold separately)					
	Top Mounting Wire Basket	—	—	—	—	XSW-0200
	Power Strip Mounting Kit	—	—	—	—	XSW-0100

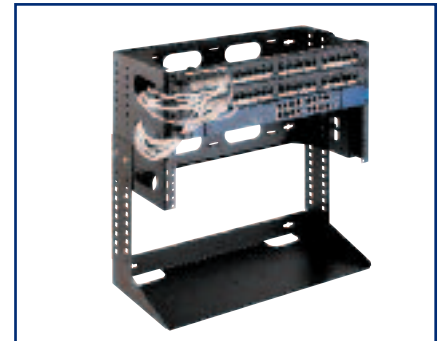
Wall Mount Racks

Wall Mount Racks

Wall Mount Racks are available in two styles: Hinged and Swing-out. The Hinged rack is 12" in height and features an adjustable lower shelf (adjusts 2" to 6"). The Swing-out rack is available in heights of 36" and 48" with 19" mounting rails. 2U, 4U and 6U Wall Mount Brackets are also offered for mounting a limited number of components or pieces of equipment.



AX102514 4U Wall Mount Bracket with 2U swivel.



Wall Mount Rack in Hinged Style (shown in closed position with equipment mounted). Part No. shown: XWR-1219.



Wall Mount Rack in Hinged Style (shown with equipment mounted). Part No. shown: XWR-1219.



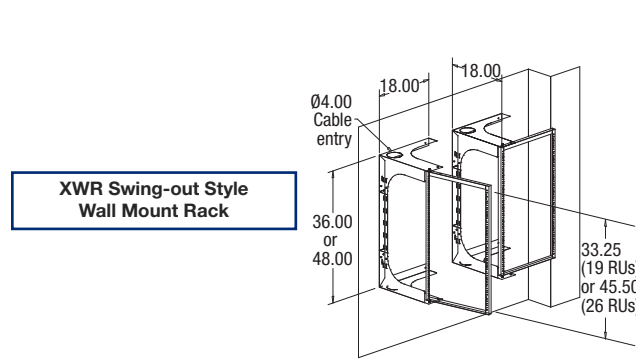
AX100785 2U Wall Mount Bracket.



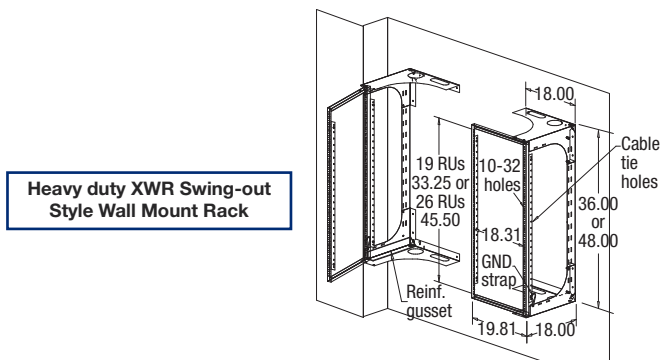
Swing-out Style Wall Mount Rack. Part No. shown: XWR-3619-18.

TECHNICAL SPECIFICATIONS

WALL MOUNT RACKS	DESCRIPTION	H	W	D	WEIGHT	MOUNTING	LOAD CAPACITY	RACK SPACES	ORDERING NUMBER
Standard Swing-out Rack	36" Wall Mount Rack with 19" Mounting Rails	36"	19.75"	18"	30 lbs.	19"	100 lbs.	19U	XWR-3619-18
Heavy Swing-out Rack	36" Wall Mount Rack with 19" Mounting Rails	36"	19.75"	18"	35 lbs.	19"	200 lbs.	19U	XWR-3619-18HD
Standard Swing-out Rack	48" Wall Mount Rack with 19" Mounting Rails	48"	19.75"	18"	39 lbs.	19"	100 lbs.	26U	XWR-4819-18
Heavy Duty Swing-out Rack	48" Wall Mount Rack with 19" Mounting Rails	48"	19.75"	18"	40 lbs.	19"	200 lbs.	26U	XWR-4819-18HD
Hinged Rack	12" Wall Mount Rack, Hinged, 19" Mounting Rails, adjustable lower shelf 2"-11" to accommodate equipment space	10.9"	19.5"	9.5"	26 lbs.	19"	50 lbs.	6U	XWR-1219
Wall Mount Bracket	2U Wall Mount Bracket, Black	NA	NA	NA	4 lbs.	19"	50 lbs.	2U	AX100785
	4U Wall Mount Bracket, Black	NA	NA	NA	8 lbs.	19"	50 lbs.	4U	AX100786
	4U Wall Mount Bracket with 2U Swivel	NA	NA	NA	10 lbs.	19"	50 lbs.	4U	AX102514



XWR Swing-out Style Wall Mount Rack



Heavy duty XWR Swing-out Style Wall Mount Rack

Broadcast Racks & Enclosures

Advantages in Using Belden Broadcast Rack and Enclosure Series

Engineered for Performance and Ease of Installation for Broadcast, Audio/Video, Security, Head End and Mobile Telecom Applications

Belden, the leader in the design and manufacture of high quality, highly reliable cables, has designed the Broadcast, Audio/Video and Security Rack/Enclosure Series using the same set of top quality and user-friendly principles.

Key rack/enclosure design criteria include uncompromisingly strong and well-built structures – along with component features that have been designed specifically to optimize the performance of the cable and to provide extraordinary flexibility in cable management.

These features provide you with a unique and highly-informed approach to your equipment housing and storage needs – with the following pages detailing the breadth of our rack/enclosure offering for the entertainment, security and telecom industries.

In addition to the products presented here, Belden offers a complete array of shelves for 19"-mount racks and enclosures: cantilevered, 4-point mount, sliding and keyboard-type (see Components and Accessories section).

Features

Construction

- Welded frame construction for greater strength and support is standard on all products.

Accessories

- A full complement of accessories will outfit your enclosures with the needed mounting, shelving, work surfaces and cable management support.

Ease of Installation

- EIA rails are marked with rack space increments for ease of equipment mounting.

Cable Management

- Numerous top and bottom entry points simplify cabling.
- The rounded, steel-formed cable tie bar (Photo A) reduces pressure points.
- The multiple attachment points for our Quick Mount System – or Nylon ties along the mounting rails, rail supports and cable tie bar (Photos B & C) – provide the utmost flexibility in cable routing and lacing.
- The Quick Mount fastening system (Photo D) is comprised of a unique swivel base and base fastener. Velcro ties are easily threaded through the fastener base, allowing the cable bundles to be secured to the rack. The system's swivel base allows for a 90° angle between the cable bundle and the cable tie to allow pressure distribution along the cables.

Aesthetics

- Powder coating process provides a textured black finish for a highly resistant, high-end look that showcases your equipment.
- Aesthetics can be tailored to your requirements with a variety of door and panel options, including use of tempered glass.



A.



B.



C.



D.



The enclosure shown here is the XMER Style (Media Enclosure).

Temperature Control

- Perforated and vented doors, along with a variety of top panel options, provide flexible cooling options.

Power Distribution

- A complete line of Belden power distribution units will accommodate your specific power distribution needs.
- Grounding studs allow for integral grounding of enclosures and accessories.

Belden offers four series of high-quality enclosures and racks for your unique entertainment, security, head end and mobile telecom applications.

Advantages in Using Belden Broadcast Rack and Enclosure Series (Continued)

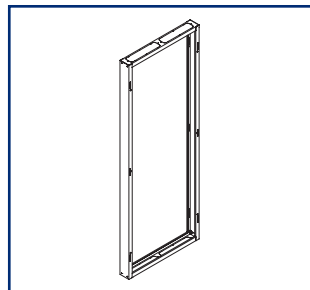
Features and Benefits

The following features are also standard on all Belden Broadcast Racks and Enclosures, except when noted.



EIA Rail Kits

- Rails are made of 12-gauge steel (XSF uses 16-gauge steel).
- Use standard EIA-310 hole-pattern (10-32 or 12-24 tapped holes).
- Fully-adjustable depth; designed to be moved without need to remove rail support hardware.
- Mounting hardware supplied with rack.
- A series of lacing holes along the rails allow for the easy attachment of cables. Holes are also compatible with our Quick Mount fasteners.
- RU marking on all rails facilitates equipment mounting.
- RU marks are hidden once the equipment is mounted.



Side Cable Chase

(Available on XMER Series)

- Adds 4" of valuable cable management space.
- Can be mounted to the side of the enclosure and is compatible with the side panels – or, can be mounted in between the enclosures to share cable management space.



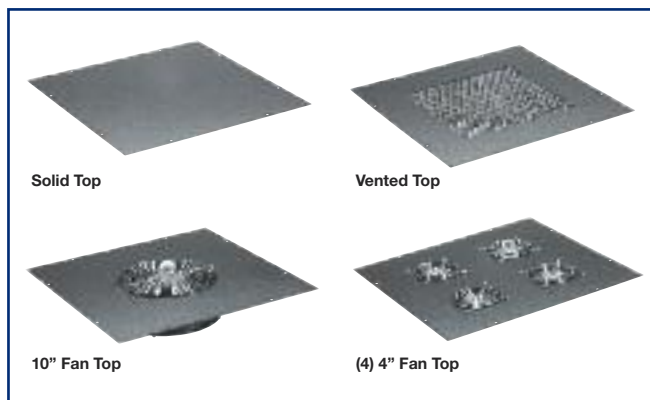
Side Panels

- The tool-less surface-mounted side panels are quick and easy to install.
- Flush version side panels (available only on the XMF Series) can be installed in between joined racks (heat barrier) or end-of-row units without any additional floorspace requirements.
- Panels can be used to transform a rack into a free-standing enclosure or to close a row on ganged racks (enhancing the installed look and providing added security).
- Feature lifting handles for easy panel removal.



Doors

- Rugged and rigid construction.
- Doors mounted with lift-off hinges are capable of 180° swing, even when enclosures are ganged.
- Door swing is field reversible.
- Glass door uses anti-static tempered glass, allowing easy cleaning, rigidity and high-end look.
- Perforated door features 63% mesh opening allowing for minimal air resistance for optimized cooling.
- High-quality swing latch includes locking mechanism.



Top Panels

- Solid tops prevent dust from entering the enclosure.
- Vented tops allow for convection cooling.
- Solid top with 10" (550 CFM) fan for forced hot air evacuation.
- Solid top with four 4" (320 CFM), low noise fans for forced hot air evacuation.

Broadcast Racks & Enclosures

Advantages in Using Belden Broadcast Rack and Enclosure Series (Continued)

Features and Benefits (continued)

The following features are also standard on all Belden Broadcast Racks and Enclosures, except when noted.



Base

- 4" riser base allows for easy cable routing from rack to rack.
- Available in XMF Series: gangable 1, 2 and 3 bay bases with easy-to-use anchoring holes.
- Series of mounting holes allow rack to be secured using common nuts and bolts.
- Feature power outlet mounting openings with cover plate.
- Includes mounting hardware and grounding stud.



Recessed Caster Base

- Allows for easy positioning of the rack.
- Installs directly to bottom flanges of enclosure.
- Recessed casters allow the leveling legs to be lowered when the enclosure is in position and raises the casters off the floor.
- Includes hardware.

Vertical Lacing Bar

- 1" wide vertical lacing bar is supplied with mounting hardware.
- Mounts to the rail supports; fully adjustable depth.
- Series of lacing holes are compatible with Belden Quick Mount fasteners to provide flexibility in cable routing.



Vertical Lacing Panel

- Mounts to the rail support.
- Fully adjustable depth.
- Panel is 3" wide and features multiple lacing points.
- Ideal for attaching cable bundle.



Grounding Provision

- Belden racks are provisioned with grounding studs, enabling integral grounding of rack and accessories.
- The copper vertical ground bar mounts to the rack support.
- Fully adjustable depth.
- Bar is 3/4" wide x 1/8" thick.



Front-mount Work Surface

- Provides a convenient work surface.
- 16" deep, single bay (22") and double bay (44") width.



Rack-mount Drawer

- Convenient sliding storage drawers.
- 16" deep with lock.
- Available in 4 heights.



Quick Mount Fasteners

- Velcro hook and loop with cable tie mount and fasteners provide a quick, flexible way to route the cable bundle within the rack.
- Racks are designed with multiple attachment holes (rails, rail supports) for flexibility, ease of installation, and to protect cable integrity.



Power Distribution Units

- Extensive offering.
 - Insulated grounding versions available.
 - Climate monitoring option available.
- (See Components and Accessories Section).

Shelves

- Broad selection for 19" mount racks and enclosures.
 - Cantilevered, 4-point mounted, sliding and keyboard styles.
- (See Components and Accessories Section).

Broadcast Racks & Enclosures

Belden Broadcast Rack & Enclosure Series Comparison Chart

SPECIFICATIONS	XSF	XMF	XME	XMER
Application	Broadcast, Mobile Telecom, Space Optimization	Broadcast	Broadcast, Audio/Video, Security	Broadcast, Audio/Video, Security, Head End
Style	Rack Gangable	Rack/Enclosure Stand-alone or gangable	Enclosure with Fixed side panels Stand-alone or gangable	Rack/Enclosure Stand-alone or gangable
Dimensions				
Height	20.5"–87" (10-48RU)	22.25"–103" (11-57RU)	48.87"–83.87" (24-44RU)	48.87"–83.87" (24-44RU)
Width	19.19"	22"	22"	22"
Depth	18", 24" or 30"	24", 30", 36" or 40"	20" or 26.5"	26.5", 31.5" or 36"
Frame Construction	11-gauge steel fully welded	11- and 14-gauge steel fully welded	16-gauge steel fully welded	14- and 16-gauge steel fully welded
Front & Rear Mounting Rails	Yes: Tapped corner posts, (fixed front), adjustable rear rails (5/8" increments)	Yes Fully adjustable	Yes Fully adjustable	Yes Fully adjustable
EIA-310 Compliant	Yes (#10-32 or 12-24 tapped)	Yes (#10-32 or 12-24 tapped)	Yes (#10-32 tapped)	Yes (#10-32 tapped)
Door Options				
Reversible front & rear doors	No	Yes	Yes	Yes
Solid, perforated or tempered glass	—	Solid or vented	Yes	Yes
Top Options	No	Solid, vented, forced air fan	Solid, vented, forced air fan	Solid, vented, forced air fan
Side Panel Options				
Removable	No	Yes	No: fixed	Yes
Panel Style	—	Flush or surface mount	Built in frame	Surface mount
Shelves (Solid, vented & keyboard)	Yes	Yes	Yes	Yes
Caster Base Option	No	Yes	Yes	Yes
Power Strip Mounting Provision	Yes	Yes	Yes	Yes
Cable Management Tie Bar	No	Yes, optional	No	Yes, optional



XSF



XMF



XME



XMER

Broadcast Racks & Enclosures



XSF Broadcast Rack available in 14 heights and 3 depths.

Part No. shown here: XSF4730100000 (47RUs H x 19.19"W x 30"D).

Slim Frame For Broadcast and Mobile Telecom Applications

XSF Series Racks: 20.5" (10RU) to 87" (48RU) Height
19.19" Wide x 18", 24" or 30" Deep
Stand-alone or Gangable

Applications

The ultra-slim XSF frame has been designed to minimize the footprint for installation and use in mobile TV trucks. The narrow 19.19" width will accommodate standard 19" mount equipment. The frames gain strength when ganged together in a series.

Design & Structural Features

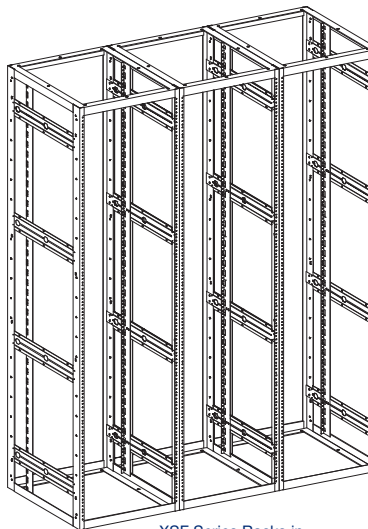
- Available in 14 heights and 3 depths.
- 11-gauge steel, one-piece formed top and bottom; 11-gauge steel formed vertical corner posts.
- Optional aluminum, weight-saving version available on request.
- Front corner post contains EIA-310 hole pattern: 10-32 or 12-24 tapped.
- Rail support channels are 16-gauge steel, riveted and welded in place.

Ease-of-Installation

- One pair, 16-gauge steel EIA rails, moveable front to rear in .625 increments.
- Each frame is supplied with 10-32 or 12-24 clip nuts for attaching equipment to the rails.
- Holes in side flanges of each corner post are available for ganging purposes.
- Open bottom with hole pattern to bolt frame to floor. Captive grounding studs in bottom sills.

Color

Black durable powdercoat.



XSF Series Racks in ganged arrangement.

Broadcast Racks & Enclosures

Slim Frame For Broadcast and Mobile Telecom Applications (Continued)

HOW TO ORDER

Belden uses a simplified ordering matrix, allowing you to easily configure the enclosure you want with the appropriate frame style, size and components. Make your selections and fill in each of the boxes shown in the matrix below.

Part number example: **XSF2824100000**

XSF Enclosure, 28 RU, 24" depth, with 10-32 tapped frame, no top panel, no rear panel, no side panels, and no power strip.

		FRAME DEPTH (In.) <table border="1" style="width: 100%; border-collapse: collapse;"> <tr><td>18</td></tr> <tr><td>24</td></tr> <tr><td>30</td></tr> </table>	18	24	30	TOP PANEL <table border="1" style="width: 100%; border-collapse: collapse;"> <tr><th>#</th><th>Description</th></tr> <tr><td>0</td><td>None</td></tr> </table>	#	Description	0	None	SIDE PANELS <table border="1" style="width: 100%; border-collapse: collapse;"> <tr><th>#</th><th>Description</th></tr> <tr><td>0</td><td>None</td></tr> </table>	#	Description	0	None																																														
18																																																													
24																																																													
30																																																													
#	Description																																																												
0	None																																																												
#	Description																																																												
0	None																																																												
XSF				0	0	0																																																							
RUS <table border="1" style="width: 100%; border-collapse: collapse;"> <thead> <tr><th>RU</th><th>Frame Height</th></tr> </thead> <tbody> <tr><td>10</td><td>20.5"</td></tr> <tr><td>11</td><td>22.25"</td></tr> <tr><td>14</td><td>27.5"</td></tr> <tr><td>19</td><td>36.25"</td></tr> <tr><td>28</td><td>52"</td></tr> <tr><td>29</td><td>53.75"</td></tr> <tr><td>31</td><td>57.25"</td></tr> <tr><td>34</td><td>62.5"</td></tr> <tr><td>39</td><td>71.25"</td></tr> <tr><td>42</td><td>76.5"</td></tr> <tr><td>44</td><td>80"</td></tr> <tr><td>46</td><td>83.5"</td></tr> <tr><td>47</td><td>85.25"</td></tr> <tr><td>48</td><td>87"</td></tr> </tbody> </table>	RU	Frame Height	10	20.5"	11	22.25"	14	27.5"	19	36.25"	28	52"	29	53.75"	31	57.25"	34	62.5"	39	71.25"	42	76.5"	44	80"	46	83.5"	47	85.25"	48	87"	MOUNTING RAIL KIT <i>(Includes 1 pair of rails with hardware)</i> <table border="1" style="width: 100%; border-collapse: collapse;"> <thead> <tr><th>#</th><th>Description</th></tr> </thead> <tbody> <tr><td>10</td><td>10-32 Clip nuts</td></tr> <tr><td>12</td><td>12-24 Clip nuts</td></tr> </tbody> </table>	#	Description	10	10-32 Clip nuts	12	12-24 Clip nuts	REAR PANEL <table border="1" style="width: 100%; border-collapse: collapse;"> <thead> <tr><th>#</th><th>Description</th></tr> </thead> <tbody> <tr><td>0</td><td>None</td></tr> </tbody> </table>	#	Description	0	None	POWER STRIP (See Notes*) <table border="1" style="width: 100%; border-collapse: collapse;"> <thead> <tr><th>#</th><th>Description</th></tr> </thead> <tbody> <tr><td>2</td><td>4 ft. 14-outlet 15 Amp w/ Surge Suppressor, 10' cord</td></tr> <tr><td>3</td><td>2 ft. 8-outlet 15 Amp strip w/ 10' cord</td></tr> <tr><td>4</td><td>19" Rack Mount 6-outlet (Rear) 15 Amp power strip w/ 10' cord</td></tr> <tr><td>5</td><td>19" Rack Mount 6-outlet (Rear) 15 Amp w/ Surge Suppressor, 10' cord</td></tr> <tr><td>6</td><td>4 ft. 14-outlet 20 Amp w/ Surge Suppressor, 10' cord</td></tr> <tr><td>7</td><td>2 ft. 8-outlet 20 Amp strip w/ 10' cord</td></tr> <tr><td>8</td><td>66" 20-outlet 20 Amp w/ Surge Suppressor, 10' cord</td></tr> <tr><td>0</td><td>None</td></tr> </tbody> </table>	#	Description	2	4 ft. 14-outlet 15 Amp w/ Surge Suppressor, 10' cord	3	2 ft. 8-outlet 15 Amp strip w/ 10' cord	4	19" Rack Mount 6-outlet (Rear) 15 Amp power strip w/ 10' cord	5	19" Rack Mount 6-outlet (Rear) 15 Amp w/ Surge Suppressor, 10' cord	6	4 ft. 14-outlet 20 Amp w/ Surge Suppressor, 10' cord	7	2 ft. 8-outlet 20 Amp strip w/ 10' cord	8	66" 20-outlet 20 Amp w/ Surge Suppressor, 10' cord	0	None
RU	Frame Height																																																												
10	20.5"																																																												
11	22.25"																																																												
14	27.5"																																																												
19	36.25"																																																												
28	52"																																																												
29	53.75"																																																												
31	57.25"																																																												
34	62.5"																																																												
39	71.25"																																																												
42	76.5"																																																												
44	80"																																																												
46	83.5"																																																												
47	85.25"																																																												
48	87"																																																												
#	Description																																																												
10	10-32 Clip nuts																																																												
12	12-24 Clip nuts																																																												
#	Description																																																												
0	None																																																												
#	Description																																																												
2	4 ft. 14-outlet 15 Amp w/ Surge Suppressor, 10' cord																																																												
3	2 ft. 8-outlet 15 Amp strip w/ 10' cord																																																												
4	19" Rack Mount 6-outlet (Rear) 15 Amp power strip w/ 10' cord																																																												
5	19" Rack Mount 6-outlet (Rear) 15 Amp w/ Surge Suppressor, 10' cord																																																												
6	4 ft. 14-outlet 20 Amp w/ Surge Suppressor, 10' cord																																																												
7	2 ft. 8-outlet 20 Amp strip w/ 10' cord																																																												
8	66" 20-outlet 20 Amp w/ Surge Suppressor, 10' cord																																																												
0	None																																																												

- *Notes:*
- 1) 19" rack mount PDUs will work on all XSF Enclosure heights
 - 2) 4' PDUs will NOT work on XSF Enclosures with height of 19RU (36.25") or less.
 - 3) 2' PDUs will NOT work on XSF Enclosures with height of 11RU (22.25") or less.
 - 4) 66" PDUs will NOT work on XSF Enclosures with height of 34RU (62.5") or less.

OPTIONS AND ACCESSORIES

EIA Rail Kit – 1 pair (Includes mounting hardware)

XSF		CN							
RAIL HEIGHT (RU) <i>refer to RU in FRAME HEIGHT chart</i>	TAPPED STYLE <table border="1" style="width: 100%; border-collapse: collapse;"> <thead> <tr><th>#</th><th>Description</th></tr> </thead> <tbody> <tr><td>10</td><td>10-32 Clip nuts</td></tr> <tr><td>12</td><td>12-24 Clip nuts</td></tr> </tbody> </table>	#	Description	10	10-32 Clip nuts	12	12-24 Clip nuts		
#	Description								
10	10-32 Clip nuts								
12	12-24 Clip nuts								



EIA Rail Kit – 1 pair with hardware

Other Accessories

ADJOINING KITS	
#	Description
XSFBK01	Bolt-together kit for frames (incl. hardware)

Broadcast Racks & Enclosures



XMF Broadcast Enclosure available in 26 heights and 4 depths for maximum flexibility in designing broadcast facilities.

Part No. shown here: XMF4424102140 (44RUs H x 22" W x 24" D).

24", 30", 36", or 40"
22"



Part No. shown here: XMF442410000TB (44RUs H x 22" W x 24" D)

Media Enclosure for Broadcast Applications

XMF Series Enclosures: 22.25" (11RU) to 103" (57RU) Height
22" Wide x 24", 30", 36" or 40" Deep
Stand-alone or Gangable

Design & Structural Features

- Available in 26 heights and 4 depths to optimize versatility in designing studios or production facilities.
- 11-gauge steel corner posts; 11-gauge formed top and bottom members; 14-gauge formed rail supports.
- Four 12-gauge EIA mounting rails (10-32 or 12-24 tapped).
- Frame is provisioned to accept optional front and rear doors, side and top panels.
- **Reversible Doors:** Surface mount solid, 16-gauge doors or top and bottom vented styles.
- **Side Panel:** Solid, 16-gauge flush side panel or 1-piece formed surface mount panel. Surface mount panels add 1/2" per side to overall width.
- **Top Panel:** Solid, vented or with 10" fan.
- **Vertical Spacing Panel:** Easy-to-install; 2.75", 3.66", 4.40" and 5.50" widths; 11RU-57RU heights.
- **Riser Base:** 4" height, 1-3 bays; fully-welded, gangable; convenient power outlet openings with covers; anchoring holes supplied to ease installation.
- **Caster base:** Recessed; 20", 30", 36" and 40" depths; adds 2.5" to height of frame. Caster bases install directly to bottom flanges of enclosures. Casters are recessed, allowing the leveling legs to be lowered when the enclosure is in position, which then allows the casters to be raised off the floor.
- **Rack-mount Drawers:** 16" deep sliding storage drawers with lock. Available in 4 heights. Mount on EIA rails (mounting hardware included). Compatible with all 19"-mount racks.

Cable Management

- Numerous lacing points on two surfaces of each rail support.
- Cable tie holes span entire length of EIA rail on the attachment flange (spaced at 1.75").
- Unique cable tie bar is made of formed steel to eliminate sharp edges; provides multiple attachment points; features cable bend radius control and lacing holes. Factory mounted when tie bar option is selected.

Ease-of-Installation

- Frame is provisioned for attaching a tool-less, formed surface mount side panel or a flat, flush panel. The flush side can be installed between joined enclosures without any additional floorspace requirement.
- Vertical spacing panels add valuable cable management space in between the racks. Includes two panels with attachment studs. Panel features lifting handles.
- Open top with optional configurable panels.
- Open bottom with hole pattern to bolt frame to floor or to a raised base. Captive grounding studs in bottom sills.
- Ganging can be accomplished after equipment is placed in rack.

Color

Black durable powdercoat.

Broadcast Racks & Enclosures

Media Enclosure for Broadcast Applications (Continued)

HOW TO ORDER

Belden uses a simplified ordering matrix, allowing you to easily configure the enclosure you want with the appropriate frame style, size and components. Make your selections and fill in each of the boxes shown in the matrix below.

Part number example: XMF4430121040TB
 XMF Enclosure, 44 RUs height, 30" depth, with 10-32 tapped frame, vented top panel, solid swing front door, no rear door, set of surface mount side panels, no power strip, tie bar.

XMF																																																																																																																																																																																													
<table border="1" style="font-size: 8px;"> <thead> <tr> <th colspan="2">RUs</th> </tr> <tr> <th>RU</th> <th>Frame Height</th> </tr> </thead> <tbody> <tr><td>11</td><td>22.25"</td></tr> <tr><td>12</td><td>24"</td></tr> <tr><td>13</td><td>25.75"</td></tr> <tr><td>14</td><td>27.5"</td></tr> <tr><td>16</td><td>31"</td></tr> <tr><td>17</td><td>32.75"</td></tr> <tr><td>19</td><td>36.25"</td></tr> <tr><td>20</td><td>38"</td></tr> <tr><td>21</td><td>39.75"</td></tr> <tr><td>23</td><td>43.25"</td></tr> <tr><td>24</td><td>45"</td></tr> <tr><td>28</td><td>52"</td></tr> <tr><td>32</td><td>59"</td></tr> </tbody> </table>	RUs		RU	Frame Height	11	22.25"	12	24"	13	25.75"	14	27.5"	16	31"	17	32.75"	19	36.25"	20	38"	21	39.75"	23	43.25"	24	45"	28	52"	32	59"	<table border="1" style="font-size: 8px;"> <thead> <tr> <th colspan="2">RU</th> <th colspan="2">Frame Height</th> </tr> <tr> <th>RU</th> <th>Frame Height</th> <th>RU</th> <th>Frame Height</th> </tr> </thead> <tbody> <tr><td>36</td><td>66"</td><td>36</td><td>66"</td></tr> <tr><td>39</td><td>71.25"</td><td>39</td><td>71.25"</td></tr> <tr><td>40</td><td>73"</td><td>40</td><td>73"</td></tr> <tr><td>43</td><td>78.25"</td><td>43</td><td>78.25"</td></tr> <tr><td>44</td><td>80"</td><td>44</td><td>80"</td></tr> <tr><td>45</td><td>81.75"</td><td>45</td><td>81.75"</td></tr> <tr><td>46</td><td>83.5"</td><td>46</td><td>83.5"</td></tr> <tr><td>48</td><td>87"</td><td>48</td><td>87"</td></tr> <tr><td>49</td><td>88.75"</td><td>49</td><td>88.75"</td></tr> <tr><td>50</td><td>90.5"</td><td>50</td><td>90.5"</td></tr> <tr><td>51</td><td>92.25"</td><td>51</td><td>92.25"</td></tr> <tr><td>52</td><td>94"</td><td>52</td><td>94"</td></tr> <tr><td>57</td><td>103"</td><td>57</td><td>103"</td></tr> </tbody> </table>	RU		Frame Height		RU	Frame Height	RU	Frame Height	36	66"	36	66"	39	71.25"	39	71.25"	40	73"	40	73"	43	78.25"	43	78.25"	44	80"	44	80"	45	81.75"	45	81.75"	46	83.5"	46	83.5"	48	87"	48	87"	49	88.75"	49	88.75"	50	90.5"	50	90.5"	51	92.25"	51	92.25"	52	94"	52	94"	57	103"	57	103"	<table border="1" style="font-size: 8px;"> <thead> <tr> <th colspan="2">FRAME DEPTH (In.)</th> </tr> </thead> <tbody> <tr><td>24</td><td></td></tr> <tr><td>30</td><td></td></tr> <tr><td>36</td><td></td></tr> <tr><td>40</td><td></td></tr> </tbody> </table>	FRAME DEPTH (In.)		24		30		36		40		<table border="1" style="font-size: 8px;"> <thead> <tr> <th colspan="2">MOUNTING RAIL KIT</th> </tr> <tr> <th>#</th> <th>Description</th> </tr> </thead> <tbody> <tr><td>1</td><td>10-32 tapped, 2 pr. with hardware</td></tr> <tr><td>2</td><td>12-24 tapped, 2 pr. with hardware</td></tr> </tbody> </table>	MOUNTING RAIL KIT		#	Description	1	10-32 tapped, 2 pr. with hardware	2	12-24 tapped, 2 pr. with hardware	<table border="1" style="font-size: 8px;"> <thead> <tr> <th colspan="2">FRONT DOOR</th> </tr> <tr> <th>#</th> <th>Description</th> </tr> </thead> <tbody> <tr><td>1</td><td>Solid Swing</td></tr> <tr><td>2</td><td>Vented</td></tr> <tr><td>0</td><td>None</td></tr> </tbody> </table>	FRONT DOOR		#	Description	1	Solid Swing	2	Vented	0	None	<table border="1" style="font-size: 8px;"> <thead> <tr> <th colspan="2">TOP PANEL</th> </tr> <tr> <th>#</th> <th>Description</th> </tr> </thead> <tbody> <tr><td>1</td><td>Solid</td></tr> <tr><td>2</td><td>Vented</td></tr> <tr><td>3</td><td>Solid w/ 10" Fan</td></tr> <tr><td>0</td><td>None</td></tr> </tbody> </table>	TOP PANEL		#	Description	1	Solid	2	Vented	3	Solid w/ 10" Fan	0	None	<table border="1" style="font-size: 8px;"> <thead> <tr> <th colspan="2">REAR DOOR</th> </tr> <tr> <th>#</th> <th>Description</th> </tr> </thead> <tbody> <tr><td>1</td><td>Solid Swing</td></tr> <tr><td>2</td><td>Vented</td></tr> <tr><td>0</td><td>None</td></tr> </tbody> </table>	REAR DOOR		#	Description	1	Solid Swing	2	Vented	0	None	<table border="1" style="font-size: 8px;"> <thead> <tr> <th colspan="2">SIDE PANELS</th> </tr> <tr> <th>#</th> <th>Description</th> </tr> </thead> <tbody> <tr><td>1</td><td>Flush Mount Side Panel, One</td></tr> <tr><td>2</td><td>Flush Mount Side Panels, Set</td></tr> <tr><td>3</td><td>Surface Mount Side Panel, One</td></tr> <tr><td>4</td><td>Surf. Mount Side Panels, Set</td></tr> <tr><td>0</td><td>None</td></tr> </tbody> </table>	SIDE PANELS		#	Description	1	Flush Mount Side Panel, One	2	Flush Mount Side Panels, Set	3	Surface Mount Side Panel, One	4	Surf. Mount Side Panels, Set	0	None	<table border="1" style="font-size: 8px;"> <thead> <tr> <th colspan="2">TIE BAR (optional)</th> </tr> <tr> <th>#</th> <th>Description</th> </tr> </thead> <tbody> <tr><td>TB</td><td>Tie Bar (also see Notes)</td></tr> </tbody> </table>	TIE BAR (optional)		#	Description	TB	Tie Bar (also see Notes)	<table border="1" style="font-size: 8px;"> <thead> <tr> <th colspan="2">POWER STRIP (See Notes*)</th> </tr> <tr> <th>#</th> <th>Description</th> </tr> </thead> <tbody> <tr><td>2</td><td>4 ft. 14-outlet 15 Amp w/ Surge Suppressor, 10' cord</td></tr> <tr><td>3</td><td>2 ft. 8-outlet 15 Amp strip w/ 10' cord</td></tr> <tr><td>4</td><td>19" Rack Mount 6-outlet (Rear) 15 Amp power strip w/ 10' cord</td></tr> <tr><td>5</td><td>19" Rack Mount 6-outlet (Rear) 15 Amp w/ Surge Suppressor, 10' cord</td></tr> <tr><td>6</td><td>4 ft. 14-outlet 20 Amp w/ Surge Suppressor, 10' cord</td></tr> <tr><td>7</td><td>2 ft. 8-outlet 20 Amp strip w/ 10' cord</td></tr> <tr><td>8</td><td>66" 20-outlet 20 Amp w/ Surge Suppressor, 10' cord</td></tr> <tr><td>0</td><td>None</td></tr> </tbody> </table>	POWER STRIP (See Notes*)		#	Description	2	4 ft. 14-outlet 15 Amp w/ Surge Suppressor, 10' cord	3	2 ft. 8-outlet 15 Amp strip w/ 10' cord	4	19" Rack Mount 6-outlet (Rear) 15 Amp power strip w/ 10' cord	5	19" Rack Mount 6-outlet (Rear) 15 Amp w/ Surge Suppressor, 10' cord	6	4 ft. 14-outlet 20 Amp w/ Surge Suppressor, 10' cord	7	2 ft. 8-outlet 20 Amp strip w/ 10' cord	8	66" 20-outlet 20 Amp w/ Surge Suppressor, 10' cord	0	None
RUs																																																																																																																																																																																													
RU	Frame Height																																																																																																																																																																																												
11	22.25"																																																																																																																																																																																												
12	24"																																																																																																																																																																																												
13	25.75"																																																																																																																																																																																												
14	27.5"																																																																																																																																																																																												
16	31"																																																																																																																																																																																												
17	32.75"																																																																																																																																																																																												
19	36.25"																																																																																																																																																																																												
20	38"																																																																																																																																																																																												
21	39.75"																																																																																																																																																																																												
23	43.25"																																																																																																																																																																																												
24	45"																																																																																																																																																																																												
28	52"																																																																																																																																																																																												
32	59"																																																																																																																																																																																												
RU		Frame Height																																																																																																																																																																																											
RU	Frame Height	RU	Frame Height																																																																																																																																																																																										
36	66"	36	66"																																																																																																																																																																																										
39	71.25"	39	71.25"																																																																																																																																																																																										
40	73"	40	73"																																																																																																																																																																																										
43	78.25"	43	78.25"																																																																																																																																																																																										
44	80"	44	80"																																																																																																																																																																																										
45	81.75"	45	81.75"																																																																																																																																																																																										
46	83.5"	46	83.5"																																																																																																																																																																																										
48	87"	48	87"																																																																																																																																																																																										
49	88.75"	49	88.75"																																																																																																																																																																																										
50	90.5"	50	90.5"																																																																																																																																																																																										
51	92.25"	51	92.25"																																																																																																																																																																																										
52	94"	52	94"																																																																																																																																																																																										
57	103"	57	103"																																																																																																																																																																																										
FRAME DEPTH (In.)																																																																																																																																																																																													
24																																																																																																																																																																																													
30																																																																																																																																																																																													
36																																																																																																																																																																																													
40																																																																																																																																																																																													
MOUNTING RAIL KIT																																																																																																																																																																																													
#	Description																																																																																																																																																																																												
1	10-32 tapped, 2 pr. with hardware																																																																																																																																																																																												
2	12-24 tapped, 2 pr. with hardware																																																																																																																																																																																												
FRONT DOOR																																																																																																																																																																																													
#	Description																																																																																																																																																																																												
1	Solid Swing																																																																																																																																																																																												
2	Vented																																																																																																																																																																																												
0	None																																																																																																																																																																																												
TOP PANEL																																																																																																																																																																																													
#	Description																																																																																																																																																																																												
1	Solid																																																																																																																																																																																												
2	Vented																																																																																																																																																																																												
3	Solid w/ 10" Fan																																																																																																																																																																																												
0	None																																																																																																																																																																																												
REAR DOOR																																																																																																																																																																																													
#	Description																																																																																																																																																																																												
1	Solid Swing																																																																																																																																																																																												
2	Vented																																																																																																																																																																																												
0	None																																																																																																																																																																																												
SIDE PANELS																																																																																																																																																																																													
#	Description																																																																																																																																																																																												
1	Flush Mount Side Panel, One																																																																																																																																																																																												
2	Flush Mount Side Panels, Set																																																																																																																																																																																												
3	Surface Mount Side Panel, One																																																																																																																																																																																												
4	Surf. Mount Side Panels, Set																																																																																																																																																																																												
0	None																																																																																																																																																																																												
TIE BAR (optional)																																																																																																																																																																																													
#	Description																																																																																																																																																																																												
TB	Tie Bar (also see Notes)																																																																																																																																																																																												
POWER STRIP (See Notes*)																																																																																																																																																																																													
#	Description																																																																																																																																																																																												
2	4 ft. 14-outlet 15 Amp w/ Surge Suppressor, 10' cord																																																																																																																																																																																												
3	2 ft. 8-outlet 15 Amp strip w/ 10' cord																																																																																																																																																																																												
4	19" Rack Mount 6-outlet (Rear) 15 Amp power strip w/ 10' cord																																																																																																																																																																																												
5	19" Rack Mount 6-outlet (Rear) 15 Amp w/ Surge Suppressor, 10' cord																																																																																																																																																																																												
6	4 ft. 14-outlet 20 Amp w/ Surge Suppressor, 10' cord																																																																																																																																																																																												
7	2 ft. 8-outlet 20 Amp strip w/ 10' cord																																																																																																																																																																																												
8	66" 20-outlet 20 Amp w/ Surge Suppressor, 10' cord																																																																																																																																																																																												
0	None																																																																																																																																																																																												
<p>*Notes: 1) Tie bar option (TB): 11-14RU=2TB, 16-19RU=4TB, 20-32RU=8TB, 36-57RU=12TB 2) 19" rack mount PDU's will work on all XMF Enclosure heights 3) 4' PDUs will NOT work on XMF Enclosures with height of 24RU (45") or less. 4) 2' PDUs will NOT work on XMF Enclosures with height of 13RU (25.75") or less. 5) 66" PDUs will NOT work on XMF Enclosures with height of 36RU (66") or less.</p>																																																																																																																																																																																													

OPTIONS & ACCESSORIES

Refer to RU and FRAME DEPTH charts (above).

Top Panel Options

XMF22		TP	
-------	--	----	--

PANEL DEPTH
refer to FRAME DEPTH chart

PANEL STYLE

#	Description
1	Solid
2	Vented
3	10" fan

Top Panel Options: Solid, 10" fan, Vented

Base Options

XMF		B		4
-----	--	---	--	---

BAYS (4" HIGH)

#	Description
1	1 Bay
2	2 Bays
3	3 Bays

BASE DEPTH
refer to FRAME DEPTH chart

Recessed Caster Base
Use of caster base adds 2.5" to enclosure height.

XMF			CB
-----	--	--	----

BASE DEPTH refer to FRAME DEPTH chart



Base Options: 1 bay, 2 bays, 3 bays and Recessed Caster Base

Broadcast Racks & Enclosures

Media Enclosure for Broadcast Applications (Continued)

OPTIONS & ACCESSORIES (CONTINUED)

Refer to RU and FRAME DEPTH charts (on previous page).

Door Options



Compatible with enclosure front or rear

XMF **22**

DOOR HEIGHT (RU)
refer to RU in FRAME HEIGHT chart

DOOR STYLE

#	Description
SD	Solid
VD	Vented Top & Bottom

Side Panel Options

PANEL DEPTH
refer to RU in FRAME DEPTH chart

PANEL HEIGHT (RU)
refer to RU in FRAME HEIGHT chart

PANEL STYLE

#	Description
FS	Flush flat panel, single
SS	Formed surface mount panel, single



Side Panel Options: Flush Flat Panel (left), Formed Surface Mount Panel (center and right)



Quick Mount System Components
XMFCTM

Other Accessories

LACING ACCESSORIES	
#	Description
XMFCTM	Quick Mount with Fastener, 10 pcs.
XCTV12	Velcro 12" long, hook & loop, 10 pcs./kit
XCTV18	Velcro 18" long, hook & loop, 10 pcs./kit
XCTV24	Velcro 24" long, hook & loop, 10 pcs./kit
ADJOINING KITS	
#	Description
XMFBK01	Bolt-together kit for frames (incl. hardware)
XMFBK02	For loaded rack application
XMFBK03	Bolt-together kit for bay bases (incl. hardware)
EDGE GUARD KITS	
#	Description
XMFEG01	24" D, 30" D (1 base cutout) for use with Base Bolt-together Kit
XMFEG02	36" D, 40" D (1 base cutout) for use with Base Bolt-together Kit
SEISMIC ANCHOR BRACKET KIT	
#	Description
XMFSB	Seismic Anchor bracket kit

Vertical Lacing Bar

XMFVLB

LACING BAR HEIGHT (RU)
refer to RU in FRAME HEIGHT chart

Vertical Lacing Panel

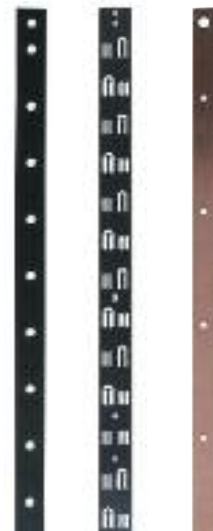
XMFVLP

LACING PANEL HEIGHT (RU)
refer to RU in FRAME HEIGHT chart

Vertical Ground Bar

XMFVGB

GROUND BAR HEIGHT (RU)
refer to RU in FRAME HEIGHT chart



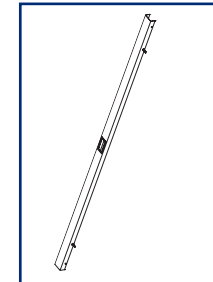
Vertical Lacing Bar, (left)
Vertical Lacing Panel, (center)
Vertical Grounding Bar, (right)

Vertical Spacing Panel

XMFSP

SPACING PANEL HEIGHT (RU)
refer to RU in FRAME HEIGHT chart

SPACING PANEL WIDTH	
#	Width
1	2.75"
2	3.66"
3	4.40"
4	5.50"



Vertical Spacing Panel

EIA Rail Kits – 1 pair (Includes mounting hardware)

XMF **RT**

RAIL HEIGHT (RU)
refer to RU in FRAME HEIGHT chart

TAPPED STYLE

#	Description
10	10-32 tapped
12	12-24 tapped



EIA Rail Kit - 1 pair with hardware

Broadcast Racks & Enclosures



XME Enclosure for Broadcast, Audio/Video, and Security Applications is available in 4 heights and 2 depths.

Part No. shown here:
XME442641310
(44RUs H x 22" W x 26" D).



Part No. shown here:
XME442600010
(44RUs H x 22" W x 26" D).

Media Enclosure for Broadcast, Audio/Video and Security Applications

XME Series Enclosures: 48.87" (24RU) to 83.87" (44RU) Height
22" Wide x 20" or 26.5" Deep

Stand-alone or Gangable with integrated side panels

Design & Structural Features

- Available in 4 heights and 2 depths.
- 16-gauge, one-piece formed and vented sides; 16-gauge formed bottom and top.
- Top and bottom EIA rail support channels are an integral part of the top and bottom. Formed center rail support channels are spot welded to the sides.
- Two 12-gauge EIA mounting rails (10-32 tapped). Additional rails can be added (optional).
- Front and side ventilation for convection cooling.
- **Reversible Doors:** Frame is available with optional front and rear solid, glass or perforated surface mount doors.
- **Top Panel:** Solid, vented, with 10" fan or (4) 4" fans. Depths of 20 and 26.5".
- **Caster Base:** Recessed, depths of 20" and 26.5"; adds 1" to height of frame. Casters are recessed, allowing the leveling legs to be lowered when the enclosure is in position, which then allows the casters to be raised off the floor.
- **Rack-mount Drawers:** 16" deep sliding storage drawers with lock. Available in 4 heights. Mount on EIA rails (mounting hardware included). Compatible with all 19"- mount racks.

Cable Management

- Rear access —
Top: 3 antenna knockouts, each .625" dia.
2 conduit knockouts, .875" dia. and 1.125" dia.
9" x 2.25" opening with cover plate.

Bottom: 4 conduit knockouts, 2 @ .875" dia., 2 @ 1.125" dia.

9" x 2.25" opening with cover plate.

- Side access —
Top: 4" dia. knockout, located toward the rear
Bottom: 4" dia. knockout, located toward the rear
Optional edge guard to protect the cable is available.
- Top access —
1", 1.5" and 2" knockouts, located toward the rear of top panel
- Cable tie holes span entire length of EIA rail on the attachment flange (spaced at 1.75").
- Fully open top and bottom facilitate cable routing.

Ease-of-Installation

- Partially open top with optional configurable panels. Rear of top contains various electrical knockouts for cable entry.
- Open bottom with leveling legs and hole pattern to bolt frame to floor. Captive grounding studs in bottom sills.
- Ganging can be accomplished after equipment is placed in rack.

Color

Black durable powdercoat.

Broadcast Racks & Enclosures

Media Enclosure for Broadcast, Audio/Video and Security Applications (Continued)

HOW TO ORDER

Belden uses a simplified ordering matrix, allowing you to easily configure the enclosure you want with the appropriate frame style, size and components. Make your selections and fill in each of the boxes shown in the matrix below.

Part number example: **XME442031313**

XME Enclosure, 44 RUs height, 20" depth, with 10" fan top panel, glass swing front door, perforated swing rear door, two fixed vented side panels, and 2ft. 15 Amp power strip.

XME

1

FRAME DEPTH (In.)

20
26

FRONT DOOR

#	Description
1	Glass Swing
2	Solid Swing
3	Perforated Swing
0	None

SIDE PANELS

#	Description
1	Two (2) Integrated Solid Sides w/ venting

RUs*

RU	Frame Height
24	48.87"
35	68.12"
40	76.87"
44	83.87"

*Includes 1 pair of 10-32 tapped rails with hardware. If second pair is needed, order separately.

TOP PANEL

#	Description
1	Solid
2	Vented
3	Solid w/ 10" Fan
4	Solid w/ Four 4" Fans
0	None

REAR DOOR

#	Description
1	Glass Swing
2	Solid Swing
3	Perforated Swing
0	None

POWER STRIP (See Notes)**

#	Description
2	4 ft. 14-outlet 15 Amp w/ Surge Suppressor, 10' cord
3	2 ft. 8-outlet 15 Amp strip w/ 10' cord
4	19" Rack Mount 6-outlet (Rear) 15 Amp power strip w/ 10' cord
5	19" Rack Mount 6-outlet (Rear) 15 Amp w/ Surge Suppressor, 10' cord
6	4 ft. 14-outlet 20 Amp w/ Surge Suppressor, 10' cord
7	2 ft. 8-outlet 20 Amp strip w/ 10' cord
8	66" 20-outlet 20 Amp w/ Surge Suppressor, 10' cord
0	None

****Notes:**

- 1) 19" rack mount PDU's will work on all XME Enclosure heights
- 2) 4' PDUs will NOT work on XME Enclosures with height of 24RU (48.87") or less.
- 3) 2' PDUs will work on all XME Enclosure heights.
- 4) 66" PDUs will NOT work on XME Enclosures with height of 24RU (48.87") or less.

OPTIONS & ACCESSORIES

Refer to RU and FRAME DEPTH charts (above) as needed.

Top Panel Options

22

TP

PANEL DEPTH

#	Description
14	20"
20	26.5"

PANEL STYLE

#	Description
1	Solid
2	Vented
3	10" Fan
4	(4) 4" Fans (320 CFM)
4-Q	(4) 4" Fans, 25dB (204 CFM)

Door Options

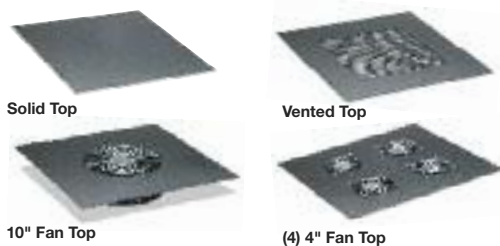
Compatible with enclosure front or rear

22

DOOR HEIGHT (RU)
refer to RU in FRAME HEIGHT chart

DOOR STYLE

#	Description
GD	Tempered Glass
SD	Solid
PD	Perforated



Broadcast Racks & Enclosures

Media Enclosure for Broadcast, Audio/Video and Security Applications (Continued)

OPTIONS & ACCESSORIES (CONTINUED)

Refer to FRAME HEIGHT and FRAME DEPTH charts (on previous page).



Vent Kits

Allows for top vent to be blocked to optimize forced air cooling (fanned top).



VENT KIT

#	Description
SVC	Side vent cover kit. Plate to block off vents in side.
FVC	Front vent cover kit. Plate to block off vents in front.



Front-mount Work Surface

For standard 19" mounting.



WORK SURFACE

#	Description
22	1 bay, 22"
44	2 bays, 44"



Rack mount Drawers

For standard 19" mounting.



DRAWER HEIGHT

#	Description
2	2U
3	3U
4	4U
5	5U



Recessed Caster Base



BASE DEPTH (In.)

20
26



EIA Rail Kits – 1 pair with hardware



RAIL HEIGHT (FRAME HT)

RU	Height
24	48"
35	67.5"
40	76"
44	83"



Vertical Lacing Panel



LACING PANEL

#	Description
24	24U
35	35U
40	40U
44	44U



Quick Mount Swivel Base Fastener XMFACTM

Other Accessories

LACING ACCESSORIES

#	Description
XMFACTM	Quick Mount with Fasteners, 10 pcs.
XCTV12	Velcro 12" long, hook & loop, 10 pcs./kit
XCTV18	Velcro 18" long, hook & loop, 10 pcs./kit
XCTV24	Velcro 24" long, hook & loop, 10 pcs./kit

RACK MOUNT LACING BAR

9512-1903 Rack mount lacing bar

TOP-MOUNTED LADDER RACK SUPPORT

XMELM Top-mounted ladder rack support

ADJOINING KIT

XMEBK01 (4) 1/4" whiz bolt & whiz nuts

GROUNDING KIT

XMEGK01 Straps and 1/4" wing nuts

EDGE GUARD PANEL

XMEEG01 Edge guard kit

SEISMIC ANCHOR BRACKET KIT

XMERSB Seismic Anchor bracket kit

Broadcast Racks & Enclosures

Media Enclosure for Broadcast, Audio/Video, Security and Head End Applications

XMER Series Enclosures: 48.87" (24RU) to 83.87" (44RU) Height 22" Wide x 26.5", 31.5" or 36" Deep. Stand-alone or Gangable



XMER Enclosure for Broadcast, Audio/Video, and Security Applications is available in 4 heights and 3 depths.
Part No. shown: XMER443131320 (44 RUs H x 22" W x 31.5" D).



Part No. shown: XMER443100000 (44RUs H x 22" W x 31.5" D).

Design & Structural Features

- Available in 4 heights and 3 depths. Taller units (48RU, 50RU and 52RU) available on demand.
- 14-gauge, one-piece formed top and bottom and 16-gauge formed vertical corner posts.
- EIA rail support is an integral part of the top and bottom with spot-welded inner support channel.
- Middle rail support channels are spot-welded construction of two 16-gauge formed rail channels creating .125" thick support channels per side.
- Four 12-gauge EIA mounting rails (10-32 tapped).
- **Reversible Doors:** Frame is available with optional front and rear solid, glass or perforated surface mount doors.
- **Side Panels:** Surface mount removable side panels. Adds 1/2" to overall width.
- **Top Panel:** Solid, vented, with 10" fan or (4) 4" fans. Depths of 26.5", 31.5" and 36".
- **Side Cable Chase:** 4" wide chase allows for added cable management. Can be mounted in between enclosures or used as a side unit; will accept a side panel. Available for 44 RU enclosures only.
- **Caster Base:** Recessed, depths of 26.5", 31.5" and 36"; adds 1" to height of frame. Caster bases install directly to bottom flanges of enclosures. Casters are recessed, allowing the leveling legs to be lowered when the enclosure is in position, which then allows the casters to be raised off the floor.

Cable Management

- Rear access –
 - Top: 3 antenna knockouts, each .625" dia.
2 conduit knockouts, .875" dia. and 1.125" dia.
9" x 2.25" opening with cover plate.
 - Bottom: 4 conduit knockouts, 2 @ .875" dia., 2 @ 1.125" dia.
9" x 2.25" opening with cover plate.
- Side access –
 - Top: 4" dia. knockout, located toward the rear
 - Bottom: 4" dia. knockout, located toward the rear
 Optional edge guard to protect the cable is available.
- Top access – 1", 1.5" and 2" knockouts, located toward the rear of top panel.
- Numerous lacing points on two surfaces of each rail support facilitate cable management.
- Cable tie holes span entire length of EIA rail on the attachment flange (spaced at 1.75").
- Unique cable tie bar made of formed steel, eliminates sharp edges; provides multiple attachment points; features cable bend radius control and lacing holes. Factory mounted when tie bar option is selected.

Ease-of-Installation

- Open top with optional configurable panels.
- Open bottom with leveling legs and hole pattern to bolt frame to floor. Captive grounding studs in bottom sills.
- Ganging can be accomplished after equipment is placed in rack.

Color

Black durable powdercoat.

Broadcast Racks & Enclosures

Media Enclosure for Broadcast, Audio/Video, Security and Head End Applications (Continued)

HOW TO ORDER

Belden uses a simplified ordering matrix, allowing you to easily configure the enclosure you want with the appropriate frame style, size and components. Make your selections and fill in each of the boxes shown in the matrix below.

Part number example: **XMER403622326**
 XMER Enclosure, 40 RUs height, 36" depth, with vented top panel, solid swing front door, perforated swing rear door, two solid side panels, and 4ft. 20 Amp surge suppressor strip.

XMER	[]	FRAME DEPTH* (In.)	FRONT DOOR	SIDE PANELS	TIE BAR (optional)
		RU*s	TOP PANEL	REAR DOOR	POWER STRIP (See Notes**)

*Includes 2 pairs of 10-32 tapped rails with hardware

- **Notes:**
- 1) Tie bar option (TB) 24RU=8TB, 35-40-44RU=12TB
 - 2) 19" rack mount PDUs will work on all XMER Enclosure heights
 - 3) 4' PDUs will NOT work on XME Enclosures with height of 24RU (48.87") or less.
 - 4) 2' PDUs will work on all XME Enclosure heights.
 - 5) 66" PDUs will NOT work on XME Enclosures with height of 24RU (48.87") or less.

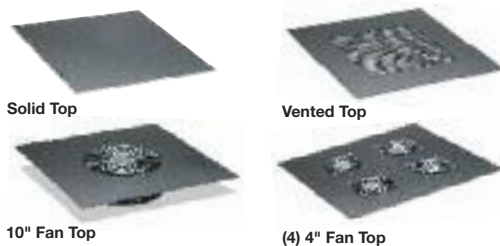
OPTIONS & ACCESSORIES

Refer to RU and FRAME DEPTH charts (above).

Top Panel Options

[22] [] [TP] []

PANEL DEPTH		PANEL STYLE	
#	Description	#	Description
26	26.5"	1	Solid
31	31.5"	2	Vented
36	36"	3	10" Fan
		4	(4) 4" Fans (320 CFM)
		4-Q	(4) 4" Fans, 25dB (204 CFM)*

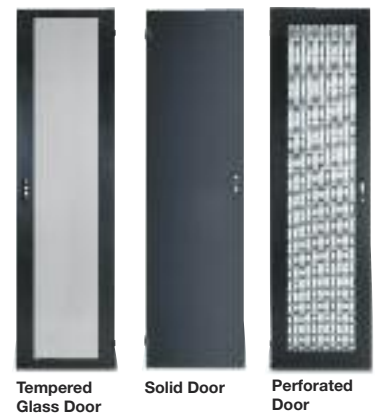


Door Options

Compatible with enclosure front or rear

[] [22] []

DOOR HEIGHT (RUs)	DOOR STYLE
refer to RU in FRAME HEIGHT chart	# Description
	GD Tempered Glass
	SD Solid
	PD Perforated



Side Panel Options

Solid Removable (Single)

[] [] [01SP]

PANEL DEPTH	
#	Description
26	26.5"
31	31.5"
36	36"

Broadcast Racks & Enclosures

Media Enclosure for Broadcast, Audio/Video, Security and Head End Applications (Continued)

OPTIONS & ACCESSORIES (CONTINUED)

Refer to RU and FRAME DEPTH charts (on previous page).



Recessed Caster Base

22		CB1
BASE DEPTH (In.)		
26		
31		
36		



EIA Rail Kits –
1 pair with hardware

XMER		RT10
RAIL HEIGHT		
<i>RU</i>	<i>Height</i>	
24	48"	
35	67.5"	
40	76"	
44	83"	



Front-Mount Work Surface
For standard 19" mounting.

XMEW		
WORK SURFACE		
<i>#</i>	<i>Description</i>	
22	1 bay, 22"	
44	2 bays, 44"	



Rack-mount Drawers
For standard 19" mounting.

RMD		
DRAWER HEIGHT		
<i>#</i>	<i>Description</i>	
2	2U	
3	3U	
4	4U	
5	5U	

Side Cable Chase (4" Wide)

44		CC
CHASE DEPTH		
<i>#</i>	<i>Description</i>	
26	26.5" (RU44)	
31	31.5" (RU44)	
36	36" (RU44)	

Vertical Lacing Panel

LP		
LACING PANEL		
<i>#</i>	<i>Description</i>	
24	24U	
35	35U	
40	40U	
44	44U	



Seismic Anchor Bracket Kit

Other Accessories

LACING ACCESSORIES

<i>#</i>	<i>Description</i>
XMFCTM	Quick Mount with fasteners, 10 pcs.
XCTV12	Velcro 12" L, hook & loop, 10 pcs./kit
XCTV18	Velcro 18" L, hook & loop, 10 pcs./kit
XCTV24	Velcro 24" L, hook & loop, 10 pcs./kit

RACK MOUNT LACING BAR

9512-1903	Rack mount lacing bar
-----------	-----------------------

TOP-MOUNTED LADDER RACK SUPPORT

XMELM	Top-mounted ladder rack support
-------	---------------------------------

ADJOINING KIT

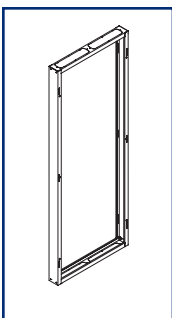
XMEBK01	(4) 1/4" whiz bolt & whiz nuts
---------	--------------------------------

SEISMIC ANCHOR BRACKET KIT

XMERSB	Seismic anchor bracket kit
--------	----------------------------

GROUNDING KIT

XMEGK01	Straps and 1/4" wing nuts
---------	---------------------------



Side Cable Chase



Vertical Lacing Panel



Quick Mount Swivel Base Fastener
XMFACTM

Belden® Cable Management
Wall Mount Enclosures

Wall Mount Enclosures

XWM Style

Applications

Wall mount enclosures, with their great aesthetic, rugged construction and cable management features, are perfectly suited for retail, office, telecom closets or any hosting applications where space utilization is critical.

Design & Structural Features

- Sturdy welded steel construction.
- Most units feature 19" mounting rails.
- Available with either a glass door with lock, or a steel door with lock, and 1 pair of 10-32 tapped rails.
- Heights: 24", 36" and 48".
- Width: 21.25".
- Depths: 6", 20" and 24".
- Direction of door swing is reversible in the field.
- Top and bottom fan knockouts each accommodate two 4" fans.
- Two laser-cut conduit knockouts, 0.885" and 1.110" diameter.
- Convenient laser-cut cable entry located on the top (3 X 3" dia.) and bottom (3 X 3" dia.) rear section of the enclosure.



48" High and 20" Deep Wall Mount Enclosure with glass door. Part No. shown: XWM-4820-GD-3.



24" High and 20" Deep Wall Mount Enclosure with solid steel door. Part No. shown: XWM-2420-SD-3.

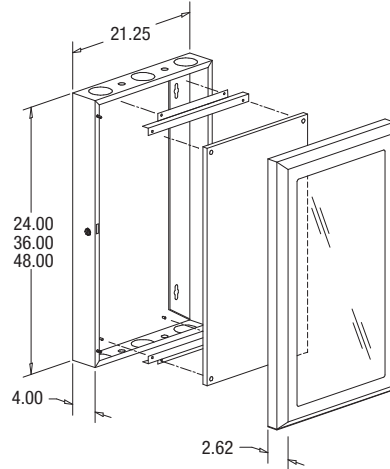
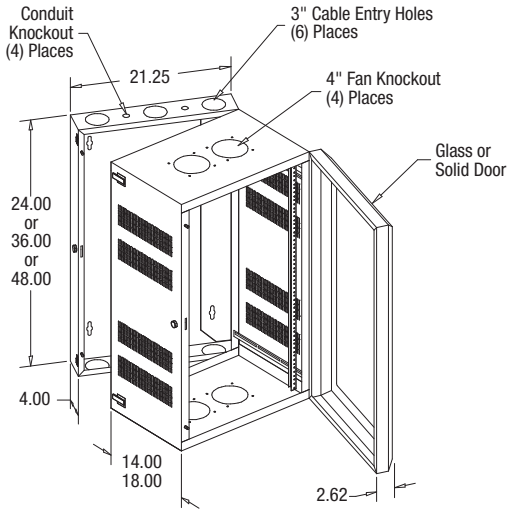


24" High and 6" Deep Wall Mount Enclosure with solid steel door. Part No. shown: XWM-2406-SD-3.

Belden® Cable Management
Wall Mount Enclosures

Wall Mount Enclosures

DIMENSIONS



Wall Mount Enclosure with swing-out view. 20" or 24" Depth.

Wall Mount Assembly with 4" D Rear Section, Plywood Back Board (Option) and Front Door w/Glass

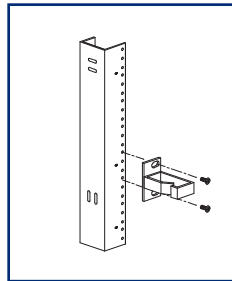
COLORS



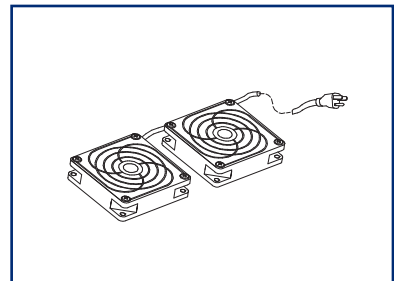
Beige (2) - Available on Request



Black (3) - Standard



9712-0103 Vertical Cable Manager



XWM-9312-1600 Fan Assembly (Two 4" Diameter Fans, 160 CFM with Guard)

Wall Mount Enclosures

TECHNICAL SPECIFICATIONS

Note 1: Listed part numbers are for Black components; replace the last number with the appropriate code for alternate color (2 = Beige).

Note 2: 20" and 24" deep XWM include 1 pair of 10-32 tapped mounting uprights, does not include mounting hardware.

	DESCRIPTION	WEIGHT	MOUNTING	LOAD CAPACITY	ORDERING NUMBER
24" WALL MOUNT ENCLOSURE					
	6" Depth with Glass Door with Lock	40 lbs.	Back Board	125 lbs.	XWM-2406-GD-3
	6" Depth with Steel Door with Lock	35 lbs.	Back Board	125 lbs.	XWM-2406-SD-3
	20" Depth with Glass Door with Lock	75 lbs.	12U	125 lbs.	XWM-2420-GD-3
	20" Depth with Steel Door with Lock	70 lbs.	12U	125 lbs.	XWM-2420-SD-3
	24" Depth with Glass Door with Lock	80 lbs.	12U	125 lbs.	XWM-2424-GD-3
	24" Depth with Steel Door with Lock	75 lbs.	12U	125 lbs.	XWM-2424-SD-3
36" WALL MOUNT ENCLOSURE					
	6" Depth with Glass Door with Lock	45 lbs.	Back Board	125 lbs.	XWM-3606-GD-3
	6" Depth with Steel Door with Lock	45 lbs.	Back Board	125 lbs.	XWM-3606-SD-3
	20" Depth with Glass Door with Lock	90 lbs.	18U	125 lbs.	XWM-3620-GD-3
	20" Depth with Steel Door with Lock	85 lbs.	18U	125 lbs.	XWM-3620-SD-3
	24" Depth with Glass Door with Lock	98 lbs.	18U	125 lbs.	XWM-3624-GD-3
	24" Depth with Steel Door with Lock	95 lbs.	18U	125 lbs.	XWM-3624-SD-3
48" WALL MOUNT ENCLOSURE					
	6" Depth with Glass Door with Lock	75 lbs.	Back Board	200 lbs.	XWM-4806-GD-3
	6" Depth with Steel Door with Lock	65 lbs.	Back Board	200 lbs.	XWM-4806-SD-3
	20" Depth with Glass Door with Lock	120 lbs.	25U	200 lbs.	XWM-4820-GD-3
	20" Depth with Steel Door with Lock	110 lbs.	25U	200 lbs.	XWM-4820-SD-3
	24" Depth with Glass Door with Lock	135 lbs.	25U	200 lbs.	XWM-4824-GD-3
	24" Depth with Steel Door with Lock	125 lbs.	25U	200 lbs.	XWM-4824-SD-3

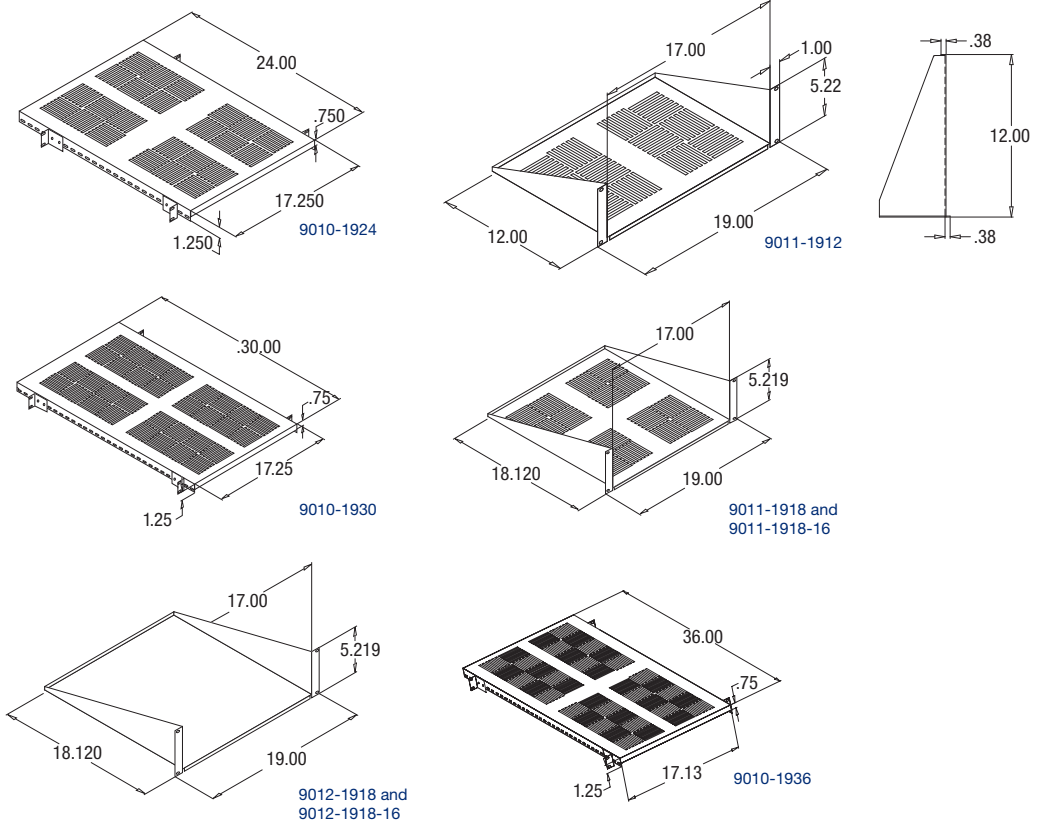
OPTIONS

DESCRIPTION	ORDERING NUMBER
CASTER/LEVELER BASE	
Caster/Leveler Base, 20" or 24"	8912-0200-3
BACK BOARD	
24" Plywood Back Board (Black)	XWM-2401
36" Plywood Back Board (Black)	XWM-3601
48" Plywood Back Board (Black)	XWM-4801
FAN ASSEMBLY	
Fan Assembly (2-4" Diameter Fans, 160 CFM with Guard)	XWM-9312-1600
MOUNTING UPRIGHTS (Mounting hardware not included)	
19" Mounting Uprights, 10-32 tapped, 24"	XWM-2419
19" Mounting Uprights, 10-32 tapped, 36"	XWM-3619
19" Mounting Uprights, 10-32 tapped, 48"	XWM-4819
MOUNTING HARDWARE	
Mounting Hardware, 10-32 tapped, mounting screws (50)	8911-0100
VERTICAL CABLE MANAGERS	
Vertical Cable Ring, 1U Cable Manager, 1" W x 2" D	9712-0103

Enclosure Shelves

Modular Enclosure Shelves are available for 19" and 23" mounting widths, with depths of 24", 30" and 36". Load ratings range from 25 lbs. up to 200 lbs. All shelves are black in color unless otherwise noted. All shelves include mounting hardware.

19" Shelves



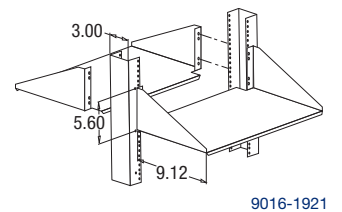
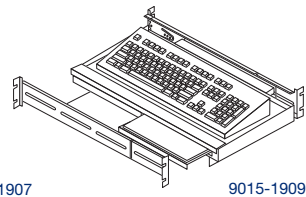
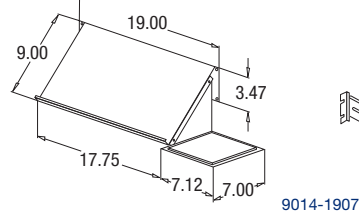
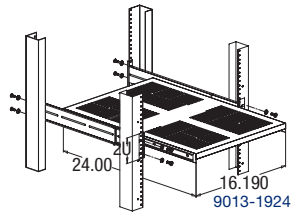
TECHNICAL SPECIFICATIONS

DESCRIPTION	DEPTH	LOAD RATING	ORDERING NUMBER
19" Heavy-Duty Adjustable Shelf (Vented), 4 Point Mounting	24"	150 lbs.	9010-1924
19" Heavy Duty Adjustable Shelf (Vented), 4 Point Mounting	30"	150 lbs.	9010-1930
19" Heavy Duty Adjustable Shelf (Vented), 4 Point Mounting	36"	150 lbs.	9010-1936
19" Flush Mount Cantilevered Shelf (Vented)	12" Fits 24" Wall Mount	50 lbs.	9011-1912
19" Flush Mount Cantilevered Shelf (Vented)	18"	50 lbs.	9011-1918
19" Flush Mount Cantilevered Shelf (Vented)	18"	25 lbs.	9011-1918-16
19" Flush Mount Cantilevered Shelf (Solid)	18"	50 lbs.	9012-1918
19" Flush Mount Cantilevered Shelf (Solid)	18"	25 lbs.	9012-1918-16

Belden® Cable Management
Components & Accessories

Enclosure Shelves

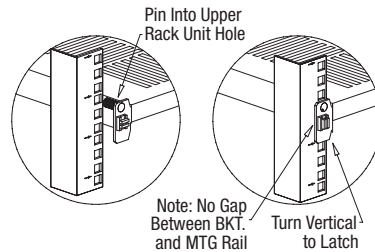
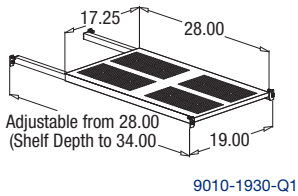
19" Shelves (continued)



TECHNICAL SPECIFICATIONS

DESCRIPTION	DEPTH	LOAD RATING	ORDERING NUMBER
19" Heavy Duty Sliding Adjustable Shelf (Vented), 4 Point Mounting	24"	100 lbs.	9013-1924
19" Center Mount Shelf Kit (2-shelves), Aluminum	21"	100 lbs.	9016-1921
19" Center Mount Shelf Kit (2-shelves), Black	21"	100 lbs.	9016-1921-3
19" Keyboard Shelf (Fixed Front of Mounting Rail with Mouse Pad)	NA	NA	9014-1907
19" Sliding Rotating Keyboard Shelf (Adjustable to a 32" depth)	NA	NA	9015-1909

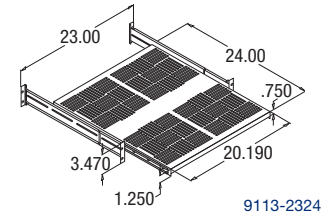
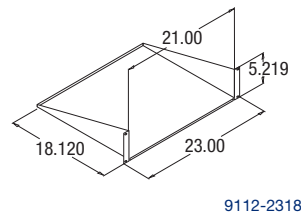
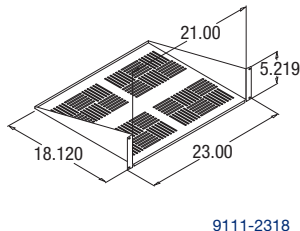
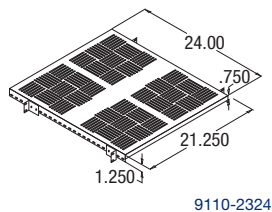
19" Quick Disconnect Shelves



TECHNICAL SPECIFICATIONS

DESCRIPTION	DEPTH	LOAD RATING	ORDERING NUMBER
19" Quick Disconnect shelf, 6 mm Mounting Rails	28"	200 lbs.	9010-1930-Q1

23" Shelves



TECHNICAL SPECIFICATIONS

DESCRIPTION	DEPTH	LOAD RATING	ORDERING NUMBER
23" Heavy Duty Adjustable Shelf (Vented), 4 Point Mounting	24"	180 lbs.	9110-2324
23" Flush Mount Cantilevered Shelf (Vented)	18"	50 lbs.	9111-2318
23" Flush Mount Cantilevered Shelf (Solid)	18"	50 lbs.	9112-2318
23" Heavy Duty Sliding Adjustable Shelf (Vented), 4 Point Mounting	24"	85 lbs.	9113-2324

Shelving Selection Guide

TECHNICAL SPECIFICATIONS		2 PT. MOUNTING										4 PT. MOUNTING				4 PT. SLIDING			
SHELVING		9011-1912	9011-1918	9011-1918-16	9012-1918	9012-1918-16	9014-1907	9016-1921	9016-1921-3	9111-2318	9112-2318	9010-1924	9010-1930	9010-1936	9010-1930-Q1	9110-2324	9013-1924	9015-1909	9113-2324
ENCLOSURE STYLE																			
NETWORKING ENCLOSURES																			
XST = 30"D	19" Mtg 23" Mtg	● ■	● ■	● ■	● ■	● ■				● ●		●				●	●	●	●
XDP = 34"D	19" Mtg 23" Mtg	● ■	● ■	● ■	● ■	● ■				● ●		● ■	● ■			●	● ■	● ■	● ●
XSL = 30"D	19" Mtg	●	●	●	●	●						●					●	●	
XUS, XUSS = 36"D	19" Mtg	●	●	●	●	●						●	●		●		●	●	
XUSD, XUSDS = 42"D	19" Mtg	●	●	●	●	●						●	●	●	●		●	●	
XNM = 40"D	19" Mtg 23" Mtg	● ■	● ■	● ■	● ■	● ■				● ●		● ■	● ■	● ■		●	■	■	●
RACKS																			
XCR & XSW	19" Mtg	●	●	●	●	●	●												
XDR-4819/7219/8419		●	●	●	●	●	●												
XDR - 2 POST = 84"	19" Mtg	●	●	●	●	●	●	●	●										
XDR - 2 POST = 84"	23" Mtg	■	■	■	■	■	■	■	■	●	●								
BHRR194		●	●	●	●	●	●	●	●										
BHRR6194		●	●	●	●	●	●	●	●										
BHRR234		■	■	■	■	■	■	■	■	●	●								
XDR84 - 4 POST	19" MTG 24" D 28" D 32" D 36" D	● ● ● ●	● ● ● ●	● ● ● ●	● ● ● ●	● ● ● ●	● ● ● ●					● ●		●			● ● ●	● ● ●	
XDR84 - 4 POST	23" MTG 24" D 28" D 32" D 36" D	■ ■ ■ ■	■ ■ ■ ■	■ ■ ■ ■	■ ■ ■ ■	■ ■ ■ ■	■ ■ ■ ■			● ● ● ●	● ●	■				●	■ ■ ■	■ ■ ■	● ●
XWR 36 OR 48	19" Mtg	●																	
BROADCAST RACKS & ENCLOSURES																			
XSF	18" D 30" D	● ●											●					●	●
XMF	30" D 36" D 40" D	● ● ●	● ● ●	● ● ●	● ● ●	● ● ●							● ● ●	●				● ● ●	● ● ●
XME	20" D 26" D	● ●	● ●	● ●	● ●	● ●						●					●	●	
XMER	26" D 31" D 36" D	● ● ●	● ● ●	● ● ●	● ● ●	● ● ●						● ● ●	●				● ●	● ●	
WALL MOUNT ENCLOSURES																			
XWM	20" D 24" D	● ●	●	●	●	●													

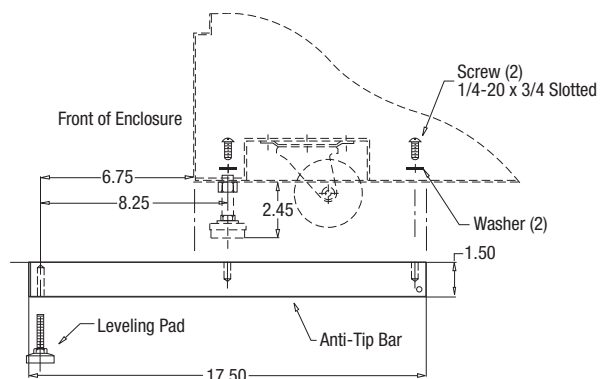
● = compatible
■ = need to use reducer brackets to 19" mtg

Anti-tip Device for Enclosures

The Ultra (XUS) and Ultra Deep (XUSD) Server Enclosure can be configured with an optional Anti-tip Device which protects the enclosure from tipping when servers and shelves are extended.



Anti-tip Device for XUS and XUSD Enclosures



XUS-ATD-0100

OPTIONS

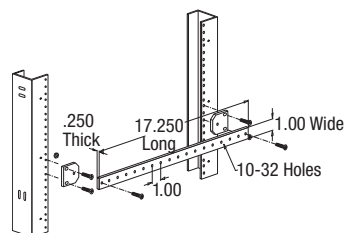
DESCRIPTION	ORDERING NUMBER
Anti-Tip Device for Ultra Server	XUS-ATD-0010-3
Anti-Tip Device for Ultra Deep Server	XUSD-ATD-0010-3

Grounding Bars

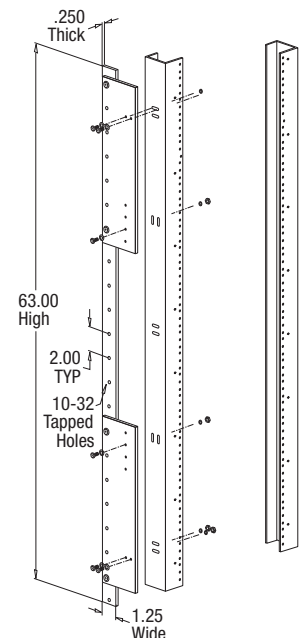
Copper grounding bars are available for Vertical or Horizontal mounting. The grounding bar is 0.25" thick x 1.25" wide, with #10-32 tapped holes. Isolating mounts with hardware are included.



9714-0190



9714-0720



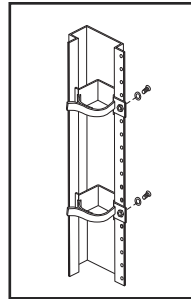
OPTIONS

DESCRIPTION	ORDERING NUMBER
63" Vertical Isolated Copper Ground Bar, .25" thickness x 1.25" W, Tapped 10-32	9714-0720
19" Horizontal Isolated Copper Ground Bar, .25" thickness x 1" W, Tapped 10-32	9714-0190

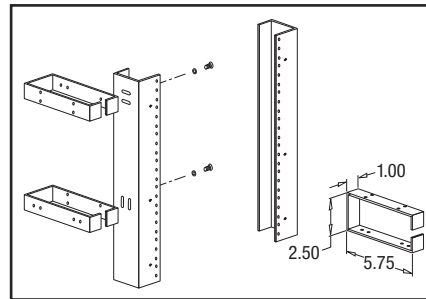
Vertical Cable Management

With over 100 years of experience as a cable manufacturer, Belden has a unique interest and capability in making sure our Vertical Cable Management products provide:

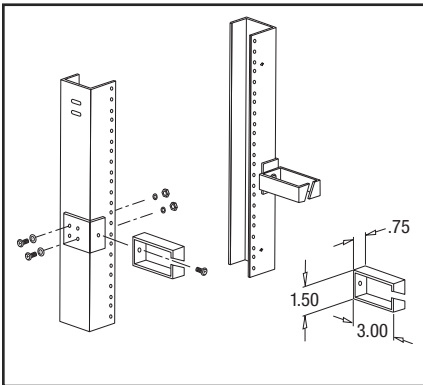
- Ease of Moves, Adds and Changes (MACs).
- Physical protection for cables.
- Cable bend radius control and reliable support to maintain electrical performance.



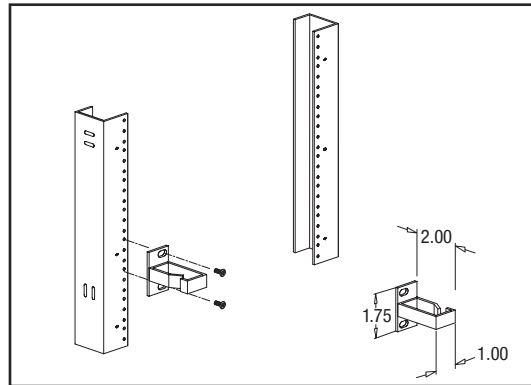
9712-0100



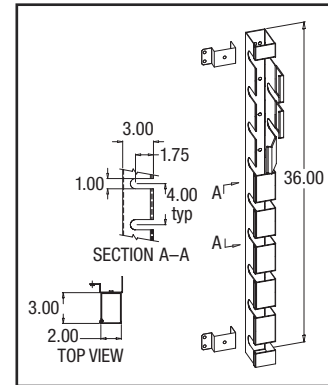
9712-0101



9712-0102



9712-0103



9712-0104 and 9712-0104S



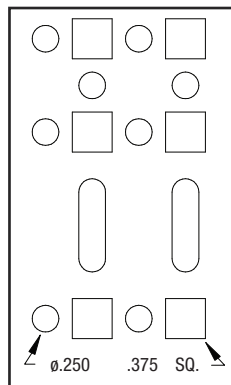
9712-0106—Single M Clip for XUSD only



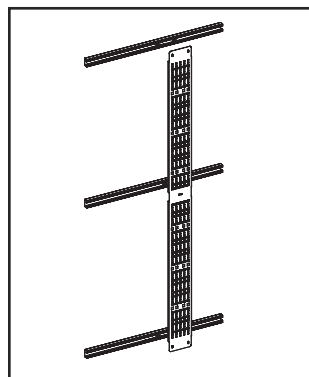
9712-0107—Double M Clip for XUSD only

Hole Pattern for Vertical Lacing Panels

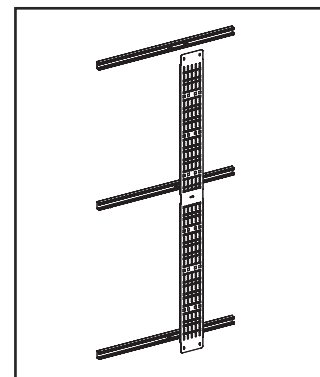
Pattern has been designed to accommodate a variety of wiring options. The .375" square holes accept a 'cage' style nut. The .250" dia. holes can be used for cable ties, 10-32 screws and nuts, or for attaching bracketry with push-in plastic rivets.



Hole Pattern for 9712-0108 and 9712-0109



9712-0108 and 9712-0108S



9712-0109 and 9712-0109S



Vertical Cable Trough

433-5114

Vertical Manager Selection Guide

TECHNICAL SPECIFICATIONS		VERTICAL ENCLOSURE STYLES					WALL MOUNT STYLES		RACKS	
VERTICAL MANAGERS	ORDERING NUMBER	XSL	XST	XDP	XUS/ XUSS	XUSD/ XUSDS	XNM	XWM	XWR	XDR, BHRR, XCR & XSW
Corner Mount Vertical Cable Management Ring 3" x 3" w/velcro strap	9712-0100	●	●	●	●	●	●			
Rail Side Mount Cable Management Ring 2.5" x 5.75"	9712-0101		●	●			●			
Rail Front Mount Cable Management Ring 1.5" x 3"	9712-0102	●	●	●			●			
Vertical Cable Ring, 1U Cable Manager, 1" W x 2" D	9712-0103	●	●	●	●	●	●	●	●	●
Vertical Cable Organizer, 36" H x 2" x 3" w/Quick Touch	9712-0104	●	●	●			●			
Vertical Cable Organizer, 36" H x 2" x 3" w/Quick Touch	9712-0104S				●	●				
Single M-Clip (rear post mounting)	9712-0106					●				
Double M-Clip (rear post mounting)	9712-0107					●				
84" Lacing Panel, Black, 5" W x 66" H	9712-0108	●	●	●						
84" Lacing Panel, Black, 5" W x 66" H	9712-0108S				●	●				
78" Lacing Panel, Black, 5" W x 60" H	9712-0109	●	●	●						
78" Lacing Panel, Black, 5" W x 60" H	9712-0109S				●	●				
76.5" Steel Vertical Cable Trough	433-5114					●				

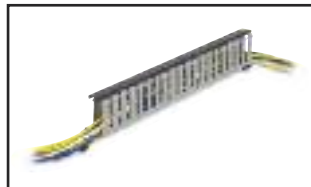
Horizontal Cable Management

With over 100 years of experience as a cable manufacturer, Belden has a unique interest and capability in making sure our Horizontal Cable Management products provide:

- Convenience and ease of use.
- Physical protection for cables.
- Management of the bend radius.
- Reliable support to maintain electrical performance.

Front-to-rear Cable Management

Front-to-rear Cable Management makes routing of cable neat, keeps cable secure and manages the bend radius. Cable managers mount in side panel opening.



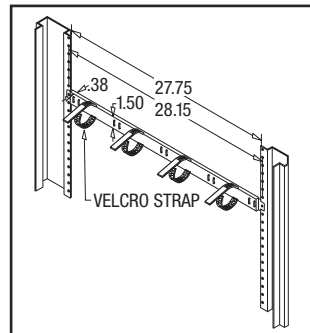
9713-0201



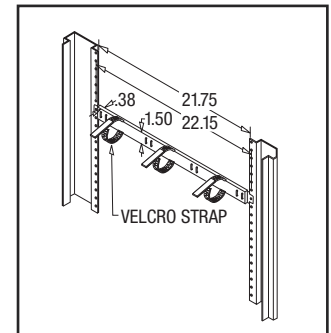
9713-0202



Horizontal: 9713-0200 Vertical: 9712-0100



9713-0200-001



9713-0200

Horizontal Cable Management

Horizontal/Patch Cord Organizers

The Patch Cord Organizers keep wires and cables under control. Features include:

- Horizontal / Vertical Patch Cord Management.
- Front / Rear Management.



Organizer with Removable Covers Top: 9512-1901 Bottom: 9512-1902



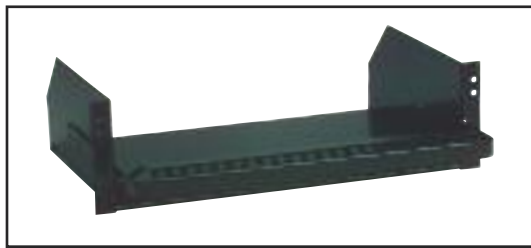
9511-1902



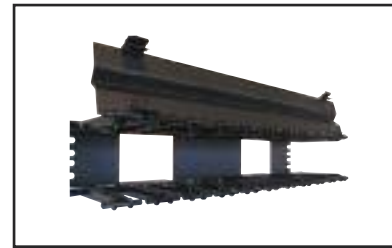
9510-1901

Open Frame Rack Cable & Patch Cord Management

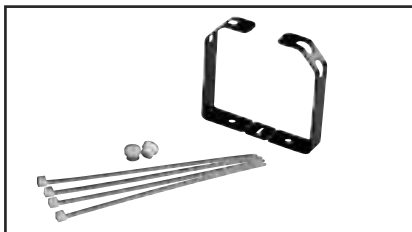
The Open Frame Rack Cable and Patch Cord Management accessories can be used with patch panels in open frame racks for distribution cable and patch cord organization, routing and protection. They allow easier cord access and simplify moves, additions and changes.



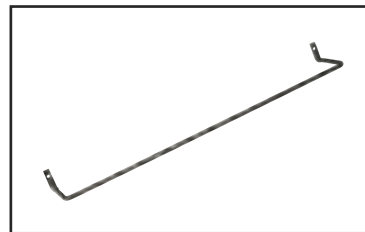
AX100249 Organizer Tray, 3U



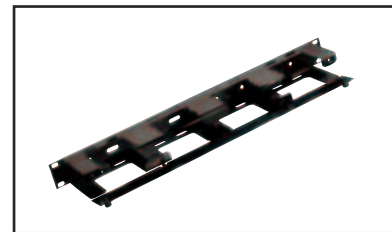
BHH192U Horizontal Manager



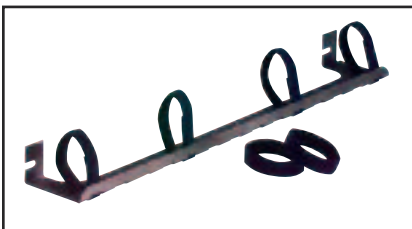
AX100463 Rear Cable Bracket



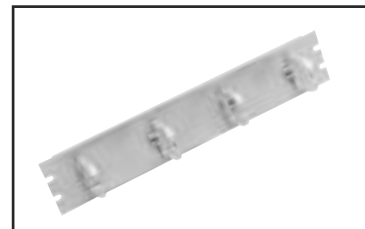
AX101173 Cable Tie Bar



AX100793 Patch Cord Organizer Channel



AX100789 Cable Support Bracket



A0396695 Organizer Ring Panel, 2U



A0644488 Organizer Panel, 1U

Belden® Cable Management Components & Accessories

Horizontal Manager Selection Guide

TECHNICAL SPECIFICATIONS		NETWORKING ENCLOSURE STYLES						WALL MOUNT		NETWORKING RACKS		BROADCAST RACKS & ENCLOSURES			
HORIZONTAL MANAGERS	ORDERING NUMBER	XSL	XST	XDP	XUS/ XUSS	XUSD/ XUSDS	XNM	XWM	XWR	XDR, BHRR, XCR, XSW	XSF	XMF	XME	XMER	
19" 1U Horizontal Cable Organizer w/saddle rings	9510-1901														
19" 2U Horizontal Cable Organizer w/saddle rings	9511-1902														
19" 1U Rack Mount Cable Organizer with finger stock & cover 1.5" x 2"	9512-1901														
19" 2U Rack Mount Cable Organizer with finger stock & cover 3" x 3"	9512-1902														
19" 2U Rack Mount Cable Organizer with finger stock & cover, Front & Rear 3" x 3"	9512-1902-FR														
19" 2U Cable Organizer with Quick Touch	9513-1902														
Rack-mount Lacing Bar	9512-1903														
Front to Rear Cable Management w/3 Velcro Straps 1.5" x 22.75"	9713-0200	●	●	●											
Front to Rear Cable Management w/4 Velcro Straps 1.5" x 28.75"	9713-0200-001				●	●									
Front to Rear Cable Management with 1" x 3" finger stock	9713-0201	●	●	●			●								
Front to Rear Cable Management with 1" x 3" finger stock	9713-0202				●	●									
Steel Front Horizontal Cable Trough	433-5115-F				●										
Steel Rear Horizontal Cable Trough	433-5115-R				●										
19" 1U Horizontal Manager w/cover	BHH191U	●	●	●	●	●	●	●	●	●	●	●	●	●	
19" 2U Horizontal Manager w/cover	BHH192U	●	●	●	●	●	●	●	●	●	●	●	●	●	
19" 3U Horizontal Manager w/cover	BHH193U	●	●	●	●	●	●	●	●	●	●	●	●	●	
23" 1U Horizontal Manager w/cover	BHH231U*		●	●			●		●						
23" 2U Horizontal Manager w/cover	BHH232U*		●	●			●		●						
23" 3U Horizontal Manager w/cover*	BHH233U		●	●			●		●*						
Top Transition Channel, 19" W x 6" D, Black	BHTT196								●						
Lower Transition Channel, 19" W x 6" D, Black	BHTL196								●						
Lower Transition Channel Double, 19" W x 6" D, Black	BHTD196								●						
Transition Tray (rack to rack)	BHTR196								●						
Top Transition Channel, 23" W x 6" D, Black*	BHTT236								●*						
Lower Transition Channel, 23" W x 6" D, Black	BHTL236*								●						
Lower Transition Channel Double, 23" W x 6" D, Black	BHTD236*								●						

All 19" Horizontal Managers are compatible with any 19" Mounting Enclosure and Rack.

* Only compatible with 23" wide version of BHRR and XDR racks.

ORGANIZERS

Organizer Ring Panel, Gray 2U**	A0396695													
Organizer Ring Panel, Black, 2U	A0403977													
Organizer Panel, Gray, 1U	A0644488													
Organizer Panel, Black, 1U	A0644489													
Organizer Panel, Gray, 2U	A0644490													
Organizer Panel, Black, 2U	A0644492													
Organizer Tray, Gray, 3U	AX100248													
Organizer Tray, Black, 3U	AX100249													
Rear Cable Bracket, Gray	AX100462													
Rear Cable Bracket, Black	AX100463													
Cable Support Bracket, Gray	AX100788													
Cable Support Bracket, Black	AX100789													
Patch Cord Organizer Channel, Gray, 1U	AX100792													
Patch Cord Organizer Channel, Black, 1U	AX100793													
Patch Cord Organizer Channel, Gray, 2U	AX100794													
Patch Cord Organizer Channel, Black, 2U	AX100795													
Patch Cord Organizer Channel, Gray, 4U	AX100796													
Patch Cord Organizer Channel, Black, 4U	AX100797													
Cable Tie Bar, Black	AX101173													

All Organizers and Accessories will fit all 19" Mounting Enclosures and Racks.

**Compatible with 23" version of BHRR and XDR Networking racks.

Light Kits

Light kits are compatible with all 19" mount Racks or Enclosures. Uses 1 (one) Rack Unit. Includes 120V AC adapter and mounting hardware.

OPTIONS	
DESCRIPTION	ORDERING NUMBER
Dual adjustable 5 watt halogen lights & dimmer, UL Listed	9420-1905
Single adjustable 5 watt halogen light & dimmer, UL Listed	9420-1906



9420-1905



9420-1906

Filler Panels

Filler Panels will optimize cooling by blocking unused rack space. Compatible with all 19" mount Racks and Enclosures. Mounting hardware included.

OPTIONS			
DESCRIPTION	COLOR	ORDERING NUMBER	
		Regular	Tool-less
1U 19" Solid Filler Panel	Gray	A0644497	—
2U 19" Solid Filler Panel	Gray	A0644499	—
1U 19" Solid Filler Panel	Black	9910-0100	9910-0100-S0003
2U 19" Solid Filler Panel	Black	9911-0200	9911-0200-S0002
3U 19" Solid Filler Panel	Black	9912-0300	—
4U 19" Solid Filler Panel	Black	9913-0400	9913-0400-S0001
8U 19" Solid Filler Panel	Black	—	9913-0400-S0002



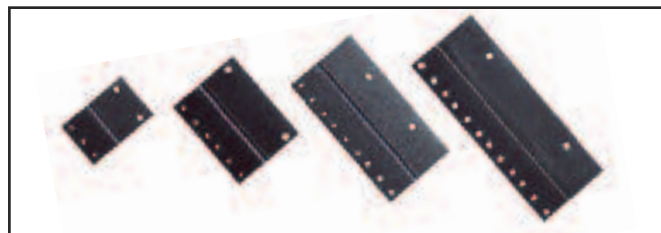
19" Filler Panels

Note: Tool-less Filler Panels can only be used on 6mm mounting rails (square hole).

Extender Brackets

The Extender Brackets allow 19" mount equipment to be mounted in a 23" mount Rack or Enclosure. Provides additional convenience when mounting 19" and 23" equipment in the same Enclosure.

OPTIONS	
DESCRIPTION	ORDERING NUMBER
1U 19" EIA to 23" Extender Bracket	9810-0100
2U 19" EIA to 23" Extender Bracket	9811-0200
3U 19" EIA to 23" Extender Bracket	9812-0300
4U 19" EIA to 23" Extender Bracket	9813-0400



Extender Brackets

Grounding/Bonding Strap Kits

Bonding strap kits can be used for grounding purposes in any Belden Enclosure.

OPTIONS	
DESCRIPTION	ORDERING NUMBER
Grounding/Bonding Strap Kit (11" strap with hardware and anti-oxidation compound)	XBS-11-0001
Grounding/Bonding Strap Kit (18" strap with hardware and anti-oxidation compound)	XBS-18-0001
Grounding Lug Kit (Ground Lug and 1/4-20 Kep Nut)	20128-KIT



XBS Grounding/
Bonding Strap

Mounting Hardware

The Mounting Hardware line includes adjoining hardware for racks and enclosures, plus a variety of bolts, screws and nuts for securing racks and enclosures.

ENCLOSURE MOUNTING HARDWARE		
DESCRIPTION	QUANTITY/PACKAGE	ORDERING NUMBER
10-32 HARDWARE		
10-32 Mounting Screws	50	8911-0100
10-32 Cage Nuts (square)	50	8915-0100
10-32 Cage Nuts (square)	20	8915-0220
10-32 Clip Nuts	20	8915-0320
12-24 HARDWARE		
12-24 Mounting Screws	50	8917-0100
12-24 Cage Nuts (square)	50	8917-0220
12-24 Clip Nuts	20	8917-0320
M6 HARDWARE		
M6 Cage Nut (square)	50	8913-0100
M6 Cage Nut (square)	20	8913-0220
M6 Clip Nut	20	8913-0320
M6 x 16mm Mounting Screw	50	8914-0100

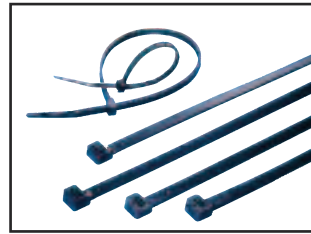
ADJOINING HARDWARE		
DESCRIPTION	FITS ENCLOSURE/ RACK STYLES	ORDERING NUMBER
Enclosure Adjoining Kit (4, 5/16-18 Hex Head Bolt; 4, 5/16-18 Hex Nut; 8, 5/16 Flat Washer)	XSL, XST, XDP, XUS, XUSD	8910-0100
Enclosure Adjoining Kit for Nema 12 (4, 5/16-18 Hex Head Bolt; 4, 5/16-18 Hex Nut; 8, 5/16 Flat Washer, includes gasketing)	XNM	XNM-0100
Lifting Lug Kit for Nema 12 (incl. 4 Eyebolts and Hardware to lift enclosure if needed)	XNM	8916-0100
Bolt-together Kit for XSF Frames (incl. hardware)	XSF	XSF BK01
Adjoining Kit (4, 1/4-20 x 5/8 Carriage Bolt; 4, 5/16 External Tooth Lock Washer; 4, Whizlock Nuts)	XMF	XMFBK01
Loaded Rack Application Bolt Kit (4, 12-24 x 1 3/4 Screw; 8, External Tooth Washer; 4, 12-24 Hex Nuts; 4, .5 x .125W Tubing Nylon)	XMF	XMFBK02
Adjoining Kit (4, 1/4-20 x 5/8 Whizlock Bolt; 4, 1/4-20 Whizlock Nut)	XME, XMER	XMEBK01

Cable Ties

The Belden line of Cable Ties features miniature, intermediate, standard and heavy duty cable ties. They are available in tensile strengths ranging from 18 lbs. to 175 lbs. and are manufactured from various grades of nylon including weather-resistant nylon for use in sunshine/outdoor applications. They are offered in lengths from 4" to 48". Indoor ties are Natural in color; outdoor ties are Black. Velcro Cable Ties are also available. Belden nylon ties are UL listed and recognized.



CTM4018N Cable Ties



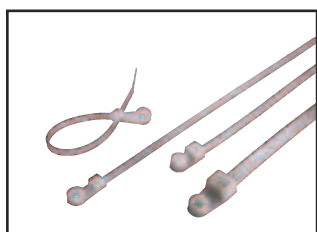
CTM4018B Cable Ties

TECHNICAL SPECIFICATIONS

DESCRIPTION	LENGTH		WIDTH		LOOP TENSILE STRENGTH		MAX. BUNDLED DIAMETER		ORDERING NUMBER
	in	mm	in	mm	lbs.	N	in	mm	
MINIATURE 18 LBS TENSILE STRENGTH									
Nylon Cable Tie, 100 pcs, Natural, 4"	3.9	100	0.098	2.5	18	80	1.0	25	CTM4018N
Nylon Cable Tie, 100 pcs, Natural, 5.5"	5.6	142	0.098	2.5	18	80	1.4	35	CTM5P18N
Nylon Cable Tie, 100 pcs, Natural, 8"	8.0	203	0.098	2.5	18	80	2.2	55	CTM8018N
INTERMEDIATE 40 LBS TENSILE STRENGTH									
Nylon Cable Tie, 100 pcs, Natural, 5.5"	5.6	142	0.125	3.2	40	178	1.4	35	CTI5P40N
Nylon Cable Tie, 100 pcs, Natural, 8"	8.0	203	0.141	3.6	40	178	2.2	55	CTI8040N
Nylon Cable Tie, 100 pcs, Natural, 11"	11.5	292	0.141	3.6	40	178	3.3	85	CTI11P40N
Nylon Cable Tie, 100 pcs, Natural, 14.5"	14.5	368	0.141	3.6	40	178	4.0	103	CTI14P40N
Weather Resistant Nylon Cable Tie, 100 pcs, Black, 5.5"	5.6	142	0.125	3.2	40	178	1.4	35	CTI5P40BW
Weather Resistant Nylon Cable Tie, 100 pcs, Black, 8"	8.0	203	0.141	3.6	40	178	2.2	55	CTI8040BW
Weather Resistant Nylon Cable Tie, 100 pcs, Black, 11.5"	11.5	292	0.141	3.6	40	178	3.3	85	CTI11P40BW
Weather Resistant Nylon Cable Tie, 100 pcs, Black, 14.5"	14.5	368	0.141	3.6	40	178	4.0	103	CTI14P40BW
STANDARD 50 LBS TENSILE STRENGTH									
Nylon Cable Tie, 100 pcs, Natural, 8"	8.0	203	0.180	4.6	50	222	2.2	55	CTS8050N
Nylon Cable Tie, 100 pcs, Natural, 11"	11.0	280	0.188	4.8	50	222	3.2	81	CTS1150N
Nylon Cable Tie, 100 pcs, Natural, 14.5"	14.5	368	0.188	4.8	50	222	4.0	103	CTS14P50N
Nylon Cable Tie, 100 pcs, Natural, 17.75"	17.7	450	0.188	4.8	50	222	5.1	131	CTS17P50N
Weather Resistant Nylon Cable Tie, 100 pcs, Black, 8"	8.0	203	0.180	4.6	50	222	2.2	55	CTS8050BW
Weather Resistant Nylon Cable Tie, 100 pcs, Black, 11.5"	11.0	280	0.188	4.8	50	222	3.2	81	CTS1150BW
Weather Resistant Nylon Cable Tie, 100 pcs, Black, 14.5"	14.5	368	0.188	4.8	50	222	4.0	103	CTS14P50BW
Weather Resistant Nylon Cable Tie, 100 pcs, Black, 17.75"	17.7	450	0.188	4.8	50	222	5.1	131	CTS17P50BW
HEAVY DUTY 120 LBS TENSILE STRENGTH									
Nylon Cable Tie, 100 pcs, Natural, 15"	15.0	380	0.298	7.6	120	533	4.3	111	CTH15120N

Belden® Cable Management Components & Accessories

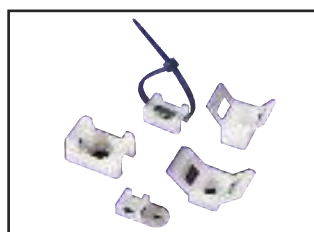
Cable Ties (Continued)



Mount Ties



Marker Ties



Cable Tie Mounts

TECHNICAL SPECIFICATIONS

DESCRIPTION	LENGTH		WIDTH		LOOP TENSILE STRENGTH		MAX. BUNDLED DIAMETER		MARKING PAD		ORDERING NUMBER
	in	mm	in	mm	lbs.	N	in	mm	in	mm	
HEAVY DUTY 150 LBS. TENSILE STRENGTH											
Nylon Cable Tie, 100 pcs, Natural, 17.75"	17.7	450	0.313	8.0	150	670	5.2	134	—	—	CTH17P150N
Nylon Cable Tie, 100 pcs, Natural, 21.7"	21.7	550	0.313	8.0	150	670	6.5	167	—	—	CTH21P150N
Nylon Cable Tie, 100 pcs, Natural, 36"	36.0	914	0.352	9.0	150	670	10.6	271	—	—	CTH36P150N
Nylon Cable Tie, 100 pcs, Natural, 48"	48.0	1219	0.352	9.0	150	670	15.0	382	—	—	CTH48P150N
<i>Note: Heavy Duty ties are UL recognized for a loop tensile strength of 175 lbs. and listed at 150 lbs.</i>											
MOUNT TIES											
Mount Tie, 100 pcs, Natural, 6"	6.7	171	0.145	3.7	40	178	1.6	40	—	—	CTI6040NM
Mount Tie, 100 pcs, Natural, 11.75"	11.8	300	0.188	4.8	50	222	3.3	85	—	—	CTS11P50NM
Mount Tie, 100 pcs, Natural, 14.5"	14.6	370	0.188	4.8	50	222	4.0	103	—	—	CTS14P50NM
MARKER TIES											
Marker Tie, 100 pcs, Natural, 4"	3.9	100	0.098	2.5	18	80	1.0	25	0.98 x 0.31	25 x 8	CTM4018NMK
Marker Tie, 100 pcs, Natural, 4.25"	4.3	110	0.098	2.5	18	80	1.0	25	0.98 x 0.32	26 x 8	CTM4P18NMK
Marker Tie, 100 pcs, Natural, 5"	5.1	130	0.098	2.5	18	80	1.0	25	1.10 x 0.79	28 x 20	CTM5018NMK
Marker Tie, 100 pcs, Natural, 8"	7.9	200	0.098	2.5	18	80	2.0	50	1.18 x 0.59	30 x 15	CTM8018NMK
Marker Tie, 100 pcs, Natural, 8"	7.9	200	0.180	4.6	50	222	2.0	50	1.10 x 0.51	28 x 13	CTS8050NMK
Marker Tie, 100 pcs, Natural, 10.5"	10.6	270	0.180	4.6	50	222	3.0	75	1.10 x 0.51	28 x 13	CTS10P50NMK
CABLE TIE MOUNTS											
Cable Tie Mount S.A. M, 100 per bag	0.49	12.5	0.49	12.5	Self Adhesive						TM100S4
Cable Tie Mount S.A. M-I, 100 per bag	0.75	19.0	0.74	19.0	#4 M2.5 Screw + Self Adhesive						TM101SS2
Cable Tie Mount S.A. M-I-S, 100 per bag	1.10	28.0	1.10	28.0	#4 M2.5 Screw + Self Adhesive						TM102
Cable Tie Mount S. M-I, 100 per bag	0.50	12.8	0.27	7.0	#4 M2.5 Screw						TM1
Cable Tie Mount S. I-S-HD, 100 per bag	0.91	23.0	0.63	16.0	1/4 M6 Screw						TM2
Cable Tie Mount S. I-S-HD, 100 per bag	1.18	30.0	0.58	14.7	#10 M5 Screw						TM4

Cable mounts compatible with following cable tie cross section.

S.A. = Self Adhesive I = Intermediate
S. = Screw on type S = Standard
M = Miniature HD = Heavy Duty

Cable Ties (Continued)



AX100781 Velcro Saddle



AX102512 Saddle Tie



AX102516 Cable Slack Management Ring - 12 inches diameter

TECHNICAL SPECIFICATIONS

DESCRIPTION	ORDERING NUMBER
VELCRO CABLE TIES	
Velcro Cable Ties, 25 per Roll, 8"	AX100783
Velcro Cable Ties, 25 per Roll, 12"	AX100784
Velcro Saddle, 25 pcs	AX100781
Velcro Saddle Kit with #8 Wood Screw, 10 pcs	AX102512
Velcro Saddle Kit with 10/32 Rack Screw, 10 pcs	AX102513
75' Roll X 1/2" width bulk velcro	AX102515
Cable Slack Management Ring 12 inches diameter	AX102516
Cable Slack Management Ring 24 inches diameter	AX102517



Air Conditioning Units

Air Conditioners

In addition to the convection cooling options shown in the Enclosure section of this catalog, Belden offers side or rear mounted Air Conditioners ranging from 1,000 BTU to 20,000 BTU's. Listed below are shown available options.

These products are compatible with most Belden Enclosures. Please contact Belden Customer Service for more information and ordering.

- Easy to use temperature controller with alarm.
- Durable 16 gauge welded steel construction.
- Efficient, quiet and long lasting rotary compressor.
- CFC Free Refrigeration System.
- Space saving aesthetic cabinet design.
- Condensate evaporator unit available on demand.
- 100% factory tested.
- Designed to mount on enclosure while maintaining NEMA type 12 integrity.
- AC Units available from 1000 to 20000 BTU.

TECHNICAL SPECIFICATIONS

BTUs/HR.	VOLTS (HZ)	AMPS (MAX.)	TEMP. (MAX.)	WEIGHT	H	W	D
2200	120/60	6.0	125 F	57 lbs	30.1"	12.27"	6.34"
3000	120/60	8.1	125 F	57 lbs	30.1"	12.27"	6.34"
3800	120/60	7.8	125 F	65.5 lbs	30.1"	12.27"	8.34"
2500	120/60	7.9	125 F	73 lbs	28.5"	19.25"	6.38"
3500	120/60	8.2	125 F	73 lbs	28.5"	19.25"	6.38"
5000	120/60	8.7	125 F	74 lbs	28.5"	19.25"	6.38"

Fan Controllers

Electronic Fan Controller

- Remote temperature sensor with eight feet of cable allows mounting of controller in a convenient location while precisely monitoring temperature at any point within the cabinet.
- Digital display shows actual temperature and programmed setpoint.
- Universal mounting bracket allows mounting to EIA rails or enclosure frame.
- Temperature range from -20°F (-29°C) to 140°F (60°C).

Thermostat Fan Controller

- Low cost mechanical controller with internal bi-metal sensing element.
- Position controller inside cabinet where temperature is to be monitored.
- Universal mounting bracket allows mounting to EIA rails or enclosure frame.
- Temperature range from -10°F (-23°C) to 100°F (38°C).



9318-0300



9318-0200

OPTIONS

DESCRIPTION	ORDERING NUMBER
Electronic Fan Controller	9318-0300
Thermostat Fan Controller	9318-0200

Variable Speed Fan Controller

The Fan Controller 9318-0150 features two C-14 inlets with auto switching in the event of power failure. Three C-13 outlets are provided for remote and local control of connected fan speed. Fan speed adjusts automatically based on user defined temperature set point and temperature readings.

- Conserve energy, reduce fan noise.
- Web accessible remote monitoring, and maintenance
- Instant alarm notifications via SNMP trap, e-mail and/or audible buzzer
- Recessed 1U Horizontal mounting (1.72"H x 17.1"W x 3.52"D)
- UL Listed



Front



Rear

9318-0150 Fan Controller

TECHNICAL SPECIFICATIONS

ORDERING NUMBER	CHASSIS TYPE	VOLTAGE	AMPS	CIRCUIT BREAKER	SWITCH	NO. OF OUTLETS	RECEP. STYLE	CORD LENGTH	PLUG TYPE	REMOTE POWER MONITORING		REMOTE SWITCHING		ENVIRO. MONITORING	
										Circuit	Outlet	Outlet	Group	Built-in	Remote Sensors
9318-0150	19" Horizontal	125/250	15	NO	NO	2	IEC C-13	NONE	IEC C-14	NO	NO	NO	NO	1	4 RJ12

Remote Climate Monitoring

Prevent an IT environmental crisis with these robust controllers that perform the following functions:

- Monitors temperature, air flow, humidity, dew point, door position, air pollution, smoke alarms and moisture via connected sensors.
- Eliminates use of splitters/CCAT's with built-in RJ12 and I/O ports.
- Visually supervises Data Center by interfacing web cameras.

- Sends alarm notifications to 5 cell phones/e-mail addresses.
- Observes equipment status via web-browser-based user interface.
- Allows viewing of data graphs and analysis of historical logs.
- Includes AC Adapter.
- UL Listed.



9318-0560 Environmental Monitor – 19" Rack mount or 17" Vertical



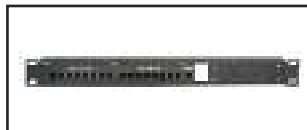
9318-0550 Environmental Monitor – 19" Rack mount or 17" Vertical



9318-0500 Environmental Monitor - Compact unit can handle up to 16 external sensors, splitter required

TECHNICAL SPECIFICATIONS

ORDERING NUMBER	CHASSIS TYPE	ENVIRONMENTAL MONITORING	SUPPORTED PROTOCOLS
9318-0560	19" Mount/ 1 RU Height	5	DHCP, HTTP, HTTPS (SSL/TLS), ICMP, TCP/IP, SMTP/POP3 & HTML, SNMP, CSV/PLAIN TEXT, TELNET, WAP, PDA FORMATTED HTML, XML
9318-0500	Compact 1.5"H x 5.25"W x 1.5"D	1	DHCP, HTTP, HTTPS (SSL/TLS), ICMP, TCP/IP, SMTP/POP3 & HTML, SNMP, CSV/PLAIN TEXT, TELNET, WAP, PDA FORMATTED HTML, XML
9318-0550	19" Mount 1 RU Height	1	DHCP, HTTP, HTTPS (SSL/TLS), ICMP, TCP/IP, SMTP/POP3 & HTML, SNMP, CSV/PLAIN TEXT, TELNET, WAP, PDA FORMATTED HTML, XML



9318-0510 – 16-Way Splitter



9318-0506 – Remote Display

OPTIONS

DESCRIPTION	ORDERING NUMBER
19" Rack Mount 16-Way Splitter, 1U with RJ12 Sensors	9318-0510
RJ12 5-Way Splitter	9318-0511
Remote Display	9318-0506
Console Software	9318-0508

Remote Climate Sensors

Belden offers a wide selection of devices for remote monitoring and control of various environmental conditions within your enclosure:

- Temperature
- Air flow
- Water
- Humidity
- Smoke



9318-0509
DLINKS Web Camera Kit

OPTIONS

DESCRIPTION	ORDERING NUMBER
Remote Temperature Sensor with 12ft. wire	9318-0501
Remote Temperature/Air Flow Sensor with 12ft. wire	9318-0502
Remote Temperature/Air Flow/Humidity Sensor with 12ft. wire	9318-0503
Remote Door Position Sensor	9318-0504
Remote Water Detection Sensor	9318-0505
Smoke Alarm Kit	9318-0507
DLINKS Web Camera	9318-0509
I/O to RJ Remote Sensor Converter	9318-0514



9318-0502 – Remote sensor assembly for temperature and air flow



9318-0507 – Smoke Alarm Kit

9318-0503 – Remote sensor assembly for temperature, air flow and humidity

Temperature Displays

Convenient battery operated temperature display with integrated thermocouple

OPTIONS

DESCRIPTION	ORDERING NUMBER
19" Rack Mount Temperature Display with Thermocouple; 1 RU blanking panel type.	9318-0512
Temperature Display with Thermocouple; 1.72" H x 3.8" W x 1.1" D unit	9318-0513



9318-0512 – Temperature Display with Thermocouple – 1U



9318-0513 – Temperature Display with Thermocouple

Power Distribution Units with Remote Monitoring

The 9321-0100 Series PDU combines power distribution with remote power management and individual outlet power monitoring.

The 9321-0200 Series PDU combines power distribution with remote power management.

Both units include two RJ12 jacks for adding remote environmental monitoring sensors. Utilize your PDA to activate and deactivate individual outlets or outlet groups. The units feature Max Group Amps (MGA) which determines power outlet access based on actual power consumption. UL Listed



9321-0200 – 19" Rack-mount Power Distribution Unit with Remote Monitoring

TECHNICAL SPECIFICATIONS

ORDERING NUMBER	CHASSIS TYPE	VOLTAGE	AMPS	CIRCUIT BREAKER	SWITCH	NO. OF OUTLETS	RECEPTACLE STYLE	CORD LENGTH	PLUG TYPE	REMOTE POWER MONITORING		REMOTE SWITCHING		ENVIRONMENTAL MONITORING		SUPPORTED PROTOCOLS
										circuit	outlet	outlet	group	Built-in	Remote Sensors	
9321-0100	19" Horizontal	125	20	NO	NO	8	NEMA 5-20R	10'	NEMA 5-20P	YES	YES	YES	YES	0	2 RJ12	DHCP, HTTP, HTTPS (SSL/TLS), ICMP, TCP/IP, SMTP/POP3 & HTML, SNMP, CSV/PLAIN TEXT, TELNET, WAP, PDA FORMATTED HTML, XML
9321-0200	19" Horizontal	125	20	NO	NO	8	NEMA 5-20R	10'	NEMA 5-20P	YES	NO	YES	YES	0	2 RJ12	DHCP, HTTP, HTTPS (SSL/TLS), ICMP, TCP/IP, SMTP/POP3 & HTML, SNMP, CSV/PLAIN TEXT, TELNET, WAP, PDA FORMATTED HTML, XML

Power Distribution Units

Belden offers a broad selection of Power Distribution Units to accommodate the power requirements for your equipment. This family of durable and versatile power strips will streamline the power cord organization and minimize cord density in your enclosures. A sampling is offered here in a variety

of configurations to accommodate a broad range of requirements. However, Belden can supply many other Power Distribution Units to suit specific customer needs. All power strips have a UL and/or c-UL rating – refer to the table here for the rating of each specific unit. All units include a 10-foot power cord.



9412-0801 – 2' Power Distribution Unit with 8 Outlets



Front



Rear

9416-1005 – 19" Rack-mount Power Distribution Unit with 10 Outlets and Surge Protection

TECHNICAL SPECIFICATIONS

ORDERING NUMBER	NUMBER OF OUTLETS	AMPS	RECEPTACLE TYPE	PLUG TYPE	RECEPTACLE STYLE	PROTECTION		SWITCH	VOLTS	MONITORING	RATING	
						Surge	Circuit Breaker					
2'—15 & 20 AMP OFFERINGS												
9412-0801	8	15	5-15R	5-15P 3 PRONG	INDIVIDUAL IN-LINE	NO	YES/ THERMAL	YES	125	NO	UL & c-UL 60950	
9416-0803	8	20	5-20R	L5-20P TWISTLOCK	INDIVIDUAL IN-LINE	NO	YES/ THERMAL	YES	125	NO	UL & c-UL 60950	
9416-0804	8	20	5-20R	5-20P 3 PRONG	INDIVIDUAL IN-LINE	NO	YES/ THERMAL	YES	125	NO	UL & c-UL 60950	

Power Distribution Units (Continued)

TECHNICAL SPECIFICATIONS											
ORDERING NUMBER	NUMBER OF OUTLETS	AMPS	RECEPTACLE TYPE	PLUG TYPE	RECEPTACLE STYLE	PROTECTION		SWITCH	VOLTS	MONITORING	RATING
						Surge	Circuit Breaker				
19" RACK MOUNT—15 & 20 AMP OFFERINGS											
9414-0602	6	15	5-15R	5-15P	INDIVIDUAL SPACING	YES	YES/THERMAL	YES	125	NO	UL & c-UL 60950
9413-0601	6	15	5-15R	5-15P 3 PRONG	INDIVIDUAL TRANSFORMER SPACING	NO	YES/THERMAL	YES	125	NO	UL & c-UL 60950
9416-1005	10	20	5-20R	5-20P 3 PRONG	DUPLEX	YES	YES/THERMAL	YES	125	NO	UL & c-UL 60950
4"—15 & 20 AMP OFFERINGS											
9411-1602	14	15	5-15R	5-15P 3 PRONG	INDIVIDUAL IN-LINE	YES	YES/THERMAL	YES	125	NO	UL & c-UL 60950
9415-1603	14	20	5-20R	5-20P 3 PRONG	INDIVIDUAL IN-LINE	NO	YES/THERMAL	YES	125	NO	UL & c-UL 60950
9415-1601	14	20	5-20R	L5-20P TWISTLOCK	INDIVIDUAL IN-LINE	NO	YES/THERMAL	YES	125	NO	UL & c-UL 60950
9415-1610	14	20	5-20R	5-20P 3 PRONG	INDIVIDUAL IN-LINE	YES	YES/THERMAL	NO	125	NO	UL & c-UL 60950
9415-1614	14	20	5-20R	L5-20P TWISTLOCK	INDIVIDUAL IN-LINE	YES	YES/THERMAL	NO	125	NO	UL & c-UL 60950
66"—20 & 30 AMP OFFERINGS											
9415-2002	20	30	5-20R	L5-30P TWISTLOCK	DUPLEX	NO	YES/(2-15 AMP) THERMAL	NO	125	YES	UL & c-UL Recognized 1950
9416-2002	20	20	5-20R	L5-20P TWISTLOCK	DUPLEX	NO	YES/ THERMAL	YES	125	YES	UL & c-UL 60950
9416-2006	20	20	5-20R	5-20P 3 PRONG	DUPLEX	YES	YES/ THERMAL	YES	125	NO	UL & c-UL 60950
9416-2005	20	20	5-20R	5-20P 3 PRONG	DUPLEX	NO	YES/ THERMAL	YES	125	NO	UL & c-UL 60950



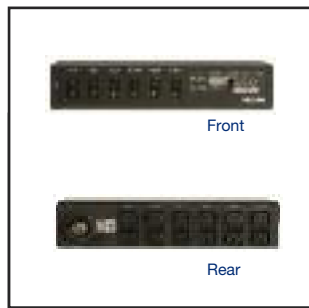
9411-1602 – 4" Power Distribution Unit with 14 Outlets and Surge Protection



9414-0602 – 19" Rack-mount Power Distribution Unit with 6 Outlets and Surge Protection

Mission-Critical Power Distribution Units

For operations where power must be managed and maintained at all times, Belden offers a family of Mission-critical Power Distribution Units. They are offered in a variety of configurations to accommodate a broad range of electrical characteristics, outlet requirements, plug and receptacle styles. All Mission-critical units include monitoring and a 10-foot power cord*. In addition, all Mission-critical power strips are UL and c-UL 60950 rated.



9416-1203 – Mission-critical Power Distribution Unit with 12 Outlets in 19" Rack-mount



9416-2406 – 66" Mission-critical Power Distribution Unit with 24 Outlets



9416-3601 – 66" Mission-critical Power Distribution Unit with 36 Outlets

*10-foot cord length not available for 9416-0805 and 9416-1204. Contact Customer Service for more information.

TECHNICAL SPECIFICATIONS






ORDERING NUMBER	NUMBER OF OUTLETS	AMPS	RECEPTACLE TYPE	PLUG TYPE	RECEPTACLE SYTLE	PROTECTION		SWITCH	VOLTS	MONITORING
						Surge	Circuit Breaker			
9416-2406	24	20 x 3~	6-20R	L21-20P TWISTLOCK	DUPLEX	NO	NONE	NO	208	YES Digital current meter local and remote
9416-3001	30	30	(24) IEC320 C-13 (6) IEC320 C-19	L6-30P TWISTLOCK	C-13 GROUPED C-19 INDIVIDUAL	NO	YES/(2-20 AMP) DBL POLE MAGNETIC	BREAKER/ SWITCH COMBO	250	YES Digital current meter local and remote
9416-3002	30	30 x 3~	(24) IEC320 C-13 (6) IEC320 C-19	L21-30P TWISTLOCK	C-13 GROUPED C-19 INDIVIDUAL	NO	YES/(3-20 AMP) DBL POLE MAGNETIC	BREAKER/ SWITCH COMBO	208	YES Digital current meter local and remote
9416-3003	30	20 x 3~	(24) IEC320 C-13 (6) IEC320 C-19	L21-20P TWISTLOCK	C-13 GROUPED C-19 INDIVIDUAL	NO	NONE	NO	208	YES Digital current meter local and remote
9416-3601	33	30 x 3~	(24) IEC320 C-13 (3) IEC320 C-19 (6) 5-20R	L21-30P TWISTLOCK	C-13 GROUPED C-19 INDIVIDUAL 5-20 DUPLEX	NO	YES/(3-20 AMP) DBL POLE MAGNETIC	BREAKER/ SWITCH COMBO	120/208	YES Digital current meter local and remote
9416-3004	30	30 x 3~	(24) IEC320 C-13 (6) IEC320 C-19	L21-30P TWISTLOCK	C-13 GROUPED C-19 INDIVIDUAL	NO	YES/(3-20 AMP) DBL POLE MAGNETIC	BREAKER/ SWITCH COMBO	208	YES Digital current meter local
9416-2407	24	30 x 3~	6-20R	L21-30P TWISTLOCK	DUPLEX	NO	YES/(3-20 AMP) DBL POLE MAGNETIC	BREAKER/ SWITCH COMBO	208	YES Digital current meter local and remote
9416-1202	12	60 x 3~ DELTA	IEC320 C-19	IEC 60309-3 pole/4 wire, 60A, pin in sleeve connector watertight	INDIVIDUAL	NO	YES/(6-20 AMP) DBL POLE MAGNETIC	BREAKER/ SWITCH COMBO	250	YES Digital current meter local and remote








Mission-Critical Power Distribution Units (Continued)

TECHNICAL SPECIFICATIONS										
ORDERING NUMBER	NUMBER OF OUTLETS	AMPS	RECEPTACLE TYPE	PLUG TYPE	RECEPTACLE STYLE	PROTECTION		SWITCH	VOLTS	MONITORING
						Surge	Circuit Breaker			
9416-1203	12 DELTA	60 x 3~	IEC320 C-19 pole/4 wire, 60A, pin in sleeve connector, watertight	IEC 60309-3	INDIVIDUAL	NO	YES/(6-20 AMP)	BREAKER/ SWITCH COMBO	250	YES Digital current meter local and remote
9416-0805	4 DELTA	120 x 3~	L15-30R Panel - Conduit Connection Access	Wiring Access	INDIVIDUAL	NO	YES/(4-30 AMP)	BREAKER/ SWITCH COMBO	250	YES Digital current meter local and remote
9416-1204	12 DELTA	80 x 3~	IEC320 C-19 Panel - Conduit Connection Access	Wiring Access	INDIVIDUAL	NO	YES/(4-20 AMP)	BREAKER SWITCH COMBO	250	YES Digital current meter local and remote

Plug & Receptacle Configurations

The plug and receptacle styles shown here represent the standard offering. Contact Belden Customer Service if other configurations are needed.


TECHNICAL SPECIFICATIONS			
NEMA STRAIGHT-BLADE PLUGS			
AMPS	VOLTS	MODEL	
15	125	5-15P	
20	125	5-20P	
NEMA STRAIGHT-BLADE RECEPTACLES			
AMPS	VOLTS	MODEL	
15	125	5-15R	
20	125	5-20R	
20	250	6-20R	

TECHNICAL SPECIFICATIONS			
TWIST-LOCK PLUGS			
AMPS	VOLTS	MODEL	
20	125	L5-20P	
30	125	L5-30P	
30	250	L6-30P	
20	120/208	L21-20P	
30	120/208	L21-30P	
IEC POWER RECEPTACLE			
AMPS	VOLTS	MODEL	
15/10	125 OR 250	C-13	
20/16	125 OR 250	C-19	

Power Management Products

Selection Guide for Power Distribution Units

TECHNICAL SPECIFICATIONS		2' STRIP			19" RACK MOUNT				4' STRIP					66" STRIP				66" MISSION CRITICAL											
		9412-0801	9416-0803	9416-0804	9414-0602	9413-0601	9416-1005	9416-1203	9411-1602	9415-1603	9415-1601	9415-1610	9415-1614	9415-2002	9416-2005	9416-2002	9416-2006	9416-2406	9416-3001	9416-3002	9416-3003	9416-3601	9416-3004	9416-2407	9416-1202	9416-0805	9416-1204		
ENCLOSURE STYLE																													
NETWORKING ENCLOSURES																													
XST/XDP	48				●	●	●	●																					
	72	●	●	●	●	●	●	●	●	●	●	●	●																
	78-84	●	●	●	●	●	●	●	●	●	●	●	●	●	●	●	●	●	●	●	●	●	●	●	●	●	●	●	●
XSL	48				●	●	●	●																					
	72	●	●	●	●	●	●	●	●	●	●	●	●	●															
	78-84	●	●	●	●	●	●	●	●	●	●	●	●	●	●	●	●	●	●	●	●	●	●	●	●	●	●	●	
XUS/XUSD	78-84	●	●	●	●	●	●	●	●	●	●	●	●	●	●	●	●	●	●	●	●	●	●	●	●	●	●	●	
XNM	84	●	●	●	●	●	●	●	●	●	●	●	●	●	●	●	●	●	●	●	●	●	●	●	●	●	●	●	
RACKS																													
XDR - 2 POST	48				●	●	●	●																					
	72	●	●	●	●	●	●	●	●	●	●	●	●																
	84	●	●	●	●	●	●	●	●	●	●	●	●	●	●	●	●	●	●	●	●	●	●	●	●	●	●	●	
XDR84 - 4 POST	24", 28", 32", 36" D	●	●	●	●	●	●	●	●	●	●	●	●	●	●	●	●	●	●	●	●	●	●	●	●	●	●	●	
BHRR194		●	●	●	●	●	●	●	●	●	●	●	●	●	●	●	●	●	●	●	●	●	●	●	●	●	●	●	
BHRR234		●	●	●					●	●	●	●	●	●	●	●	●	●	●	●	●	●	●	●	●	●	●	●	
BHRR6194		●	●	●	●	●	●	●	●	●	●	●	●	●	●	●	●	●	●	●	●	●	●	●	●	●	●	●	
XWR	36-48				●	●	●	●																					
BROADCAST RACKS & ENCLOSURES																													
XSF	10-11				●	●	●	●																					
	14-19	●	●	●	●	●	●	●	●	●	●	●	●																
	28-34	●	●	●	●	●	●	●	●	●	●	●	●	●	●	●	●	●	●	●	●	●	●	●	●	●	●	●	
	39-48	●	●	●	●	●	●	●	●	●	●	●	●	●	●	●	●	●	●	●	●	●	●	●	●	●	●	●	
XMF	11-13				●	●	●	●																					
	14-24	●	●	●	●	●	●	●	●	●	●	●	●																
	28-36	●	●	●	●	●	●	●	●	●	●	●	●	●	●	●	●	●	●	●	●	●	●	●	●	●	●	●	
	39-57	●	●	●	●	●	●	●	●	●	●	●	●	●	●	●	●	●	●	●	●	●	●	●	●	●	●	●	
XME/XMER	24	●	●	●	●	●	●	●																					
	35	●	●	●	●	●	●	●	●	●	●	●	●	●	●	●	●	●	●	●	●	●	●	●	●	●	●	●	
	40	●	●	●	●	●	●	●	●	●	●	●	●	●	●	●	●	●	●	●	●	●	●	●	●	●	●	●	
	44	●	●	●	●	●	●	●	●	●	●	●	●	●	●	●	●	●	●	●	●	●	●	●	●	●	●	●	
WALL MOUNT ENCLOSURES																													
XWM	24, 36, 48				●	●	●	●																					

 = Products suited for Mission Critical applications

When ordering a standard power strip as a separate item, please contact Belden Customer Service to make sure you are ordering the correct part number that will be compatible for mounting in your Enclosure.

**Custom Ordering a
 Power Distribution Unit**

Power Distribution Unit Configuration Guide



Please select the desired configuration and specifications and submit to Belden.

Customer Name _____ Phone _____ E-mail _____
 Quantity Required _____ Target Price _____ Project Timeline _____
 First Unit Required by Date _____ Comparable Competitive Unit Brand/Model # _____

ELECTRICAL CONFIGURATION

Power Input			
Quantity**	Plug Type	Input AMPS	Input VOLTS
	5-15P	15	125
	L5-15P	15	125
	5-20P	20	125
	L5-20P	20	125
	6-20P	20	250
	L6-20P	20	250
	L14-20P	20	125/250
	L21-20P	20 x 3~	120/208 WYE
	L5-30P	30	125
	L6-30P	30	250
	L14-30P	30	125/250
	L15-30P	30 x 3~	250 Delta
	L21-30P	30 x 3~	120/208 WYE
	IEC C-20 Inlet (No Cord)	20/16*	125 or 250
	IEC Pin & Sleeve 2 Pole / 3 Wire	20/16*	250/230*
	IEC Pin & Sleeve 3 Pole / 4 Wire	20	250 3~
	IEC Pin & Sleeve 2 Pole / 3 Wire	30/32*	250/230*
	IEC Pin & Sleeve 3 Pole / 4 Wire	30	250 3~
	IEC Pin & Sleeve 2 Pole / 3 Wire	60/63*	250/230*
	IEC Pin & Sleeve 3 Pole / 4 Wire	60	250 3~
Cord Length			

Power Output			
Quantity	Receptacle Type	AMPS	VOLTS
	5-15R Duplex	15	125
	5-15R Individual	15	125
	L5-15R Duplex	15	125
	5-20R Duplex	20	125
	5-20R Individual	20	125
	L5-20R	20	125
	6-20R Duplex	20	250
	L6-20R	20	250
	L5-30R	30	125
	L6-30R	30	250
	IEC C-13	15/10*	125 or 250
	IEC C-19	20/16*	125 or 250
	Other - Please Specify		
PHYSICAL CONFIGURATION			
Dimensional Limits		Mounting Orientation	
	Length		Horizontal
	Width		Vertical
	Height		
HARDWIRED OPTIONS			
Quantity**			
	6" Wire Tails with removable plate		
	Flexible Conduit		
	Terminal Block		

*Rating for CE products
 **Quantity = # of circuits

Power Switch		Surge Supression	
	No		No
	Yes		Yes
	Yes - With Cover		
Local Current Monitoring		Remote Current Monitoring	
	No		No
	Yes - Current (Amps) Only		Yes, Circuit Level
	Yes - Scrolling Display (Volts, Amps, Watts, Power Factor)		Yes, Outlet Level
Circuit Breakers		Isolated Ground	
	No (Required by NEC in some units)		No
	Yes		Yes
Environmental Monitoring		Remote Switching	
	No		No
	Yes		Yes
3RD PARTY TESTING - COMPLIANCE			
	UL® Listed		UR - UL® Recognized
	FCC Part 15 Class A		CE®
	None Required		Other - Please Specify

ADDITIONAL INFORMATION

©2008 Belden, Inc.

Warranty & Shipping Policy

Warranty

Limited Warranty

Belden warrants that, for a period of one (1) year following the date of delivery to the original customer, the products it offers for sale in the catalog are free from defects in material and workmanship. The foregoing warranty is subject to the terms, limitations and conditions set forth below.

Liability

Belden's sole liability under this warranty will be to repair or replace, at its discretion, products that do not meet the specifications and descriptions provided in the catalog or purchase order due to defects in material and workmanship. Under no circumstances shall Belden be liable for any consequential or special damages for breach of this warranty. Belden's total liability under this warranty shall be limited to the price actually paid by the customer for the product(s) covered. Except as specifically set forth above, Belden expressly disclaims any other representation or warranties of any kind, expressed or implied, arising by law or custom, with respect to products set forth in the catalog or otherwise sold by Belden, including without limitation, warranties or merchantability, fitness for a particular purpose, non-infringement or any other matter.

Components Not Manufactured by Belden

Electrical components, air conditioners, fan assemblies, blower units and other components not manufactured by Belden, but installed in our products, are excluded from this warranty. Only such warranty that may be offered to Belden's customers by the manufacturer of such item(s) shall apply, subject to the terms, limitations and conditions thereof.

Conditions of Warranty

This warranty applies only to standard products set forth in the catalog. Custom products are covered by warranties stated in the Terms and Conditions of Belden's quotation at the time of the order.

Repairs or Adjustments

Belden, at its discretion, will make any repairs or adjustments to any products that are due to defects and/or workmanship. This warranty does not extend to any items that upon inspection by Belden are deemed to have been misused, neglected, improperly treated, improperly installed, or used in violation of instructions or specifications approved by Belden, or otherwise handled, installed, shipped or used in violation of industry standards for metal fabrication and solid state electronic equipment.

Shipping Policy

Freight Handling Charges

Third-Party Billing – Customer will specify carrier. Freight will be third-party billed other than to Belden or the customer.

The customer will supply a third-party account number or third-party billing address.

Freight Collect – Customer to specify carrier. Either a freight account number is provided or freight charges will be paid at destination upon delivery.

Prepaid and Add – Belden will specify carrier which has contractual agreements with select carriers.

All freight charges that appear on initial product invoice will be paid by the customer, and will not require any additional freight documentation. Belden's billing cycle will only indicate on the invoice a freight charge from dock to dock. Any accessorial charges (e.g., lift gate, union driver) will be billed on an additional invoice other than the initial billing that will show the accessorial charges.

Shipping Policy

Belden will provide estimated freight charges and will not be liable for charges due to problems that may occur in transit or upon delivery or not known at the time of the initial quote (accessorial charges). All shipments leaving Belden are FOB origin.

Inside Delivery – A carrier driver will make an inside delivery if an adequate loading dock is available to roll off freight to a trailer level dock. The driver will be equipped to move the freight via hand truck or pallet jack and must be able to get to the inside destination without any problem of obstacles that would cause delays. The customer must supply a freight elevator if delivery requires it. This action may result in additional freight charges.

Lift Gate Service – Usually a lift gate is needed when a loading dock is not available. The freight is lowered to ground level and delivered to the customer's door "only." Not all trailers are equipped with a lift gate and most carrier terminals have a limited number of lift gate trailers. This may cause a delay in shipment. This procedure may require an additional fee.

Notification – To coordinate delivery between the customer and the carrier, the customer must supply a phone number and contact person. This procedure may require an additional fee.

Reconsignment – Once freight has left the Belden dock, the delivery destination address will be scheduled in the carrier dispatch system. A change of destination address is possible, depending upon the timing of delivery. This action may result in additional freight charges.

Redelivery – When a delivery is refused by a customer for any reason, other than the fault of the carrier, the freight will be returned to the carrier's dock. A redelivery charge will apply.

Damages

All damages must be reported to Belden within three (3) working days upon delivery. Failure to report any damages will release Belden from any and all claims. It is the responsibility of the customer's receiving personnel to check all shipping cartons for discrepancies (e.g., dents, punctures). All discrepancies to the shipping container should be noted on the carrier's paperwork and documented. If, after opening the container, it is found that there is damage to the product, the carton is to be examined to determine that the damage was due to shipping.

Failure to examine cartons at delivery, and signing the carrier's paperwork, releases the carrier and Belden from any and all freight claims.

Third-party billing customers will handle any and all freight claim damage with the carrier and are responsible for all freight charges.

Return Policy for Repair, Replacement, Modification or Credit

Prior approval must be obtained for any products being returned. Upon approval an RMA number will be assigned to the items being returned. This RMA number MUST appear on all shipping documents and on the outside of each carton. Failure to include the RMA number on the carton will result in the refusal of delivery and return to the customer, freight collect.

All products returned for reasons other than repair or replacement are subject to a 15% restocking fee and must be shipped prepaid. In addition to the 15% restocking fee, the customer is responsible for properly packaging and returning the product in reusable condition. If not, additional charges may be added to the restocking fee. If a customer holds a product for more than ten (10) days, a return for credit will be voided.

Any or all special customized products can only be returned for modifications or repair of damages.

All products being returned shall be prepaid (unless they are being returned due to defect or damage), packaged in good condition and shipped to:

Belden
2001 North Main Street
Washington, PA 15301

Part Number Index

Part No.	Page	Part No.	Page	Part No.	Page	Part No.	Page
2418-TP-1-3	17	7229-PD-3D	13	8424-SPR-3D	21	9010-1924	52,60
2418-TP-2-3	17	7229-SF-3D	13	8429-GF-3D	13	9010-1930	52
2418-TP-3-3	17	7801-SP-3	13, 17	8429-NFD-3	25	9010-1930-Q1	53
2418-TP-4-3	17	7824-DSFR-3	21	8429-NGD-3	25	9010-1936	52
2430-TP-1-3	22	7824-DSPR-3	21	8429-NKD-3	25	9011-1912	52
2430-TP-3-3	22	7824-DSSF-3	21	8429-NSD-3	25	9011-1918	52
2430-TP-4-3	22	7824-DSSR-3	21	8429-PD-3D	13	9011-1918-16	52
2430-TP-6-3	22	7824-DSVF-3	21	8429-SF-3D	13	9012-1918	52
2918-TP-1-3	13	7824-GF-3D	17	8436-01-SEIP-3	22	9012-1918-16	52
2918-TP-2-3	13	7824-PD-3D	17	8436-01-SP-3	22	9013-1924	53
2918-TP-3-3	13	7824-SF-3D	17	8440-01-NSP-3	25	9014-1907	53
2918-TP-4-3	13	7824-SPR-3D	21	8440-02-NSP-3	25	9015-1909	53
433-5114	22,57	7829-GF-3D	13	8442-01-SEISP-3	22	9016-1921	53
433-5115-F	59	7829-PD-3D	13	8910-0100	61	9016-1921-3	53
433-5115-R	59	7829-SF-3D	13	8911-0100	61	9110-2324	53
4801-SP-3	13, 17	7836-01-SP-3	22	8912-0200-3	51	9111-2318	53
4824-GF-3D	17	8401-SP-3	13, 17	8913-0100	61	9112-2318	53
4824-PD-3D	17	8424-DSFR-3	21	8913-0220	61	9113-2324	53
4824-SF-3D	17	8424-DSPR-3	21	8913-0320	61	9318-0150	66
4829-GF-3D	13	8424-DSSF-3	21	8914-0100	61	9318-0300	65
4829-PD-3D	13	8424-DSSR-3	21	8915-0100	61	9318-0200	65
4829-SF-3D	13	8424-DSVF-3	21	8915-0220	61	9318-0500	66
7201-SP-3	13, 17	8424-GF-3D	17	8915-0320	61	9318-0501	67
7224-GF-3D	17	8424-PD-3D	17	8916-0100	61	9318-0502	67
7224-PD-3D	17	8424-SF-3D	17	8917-0100	61	9318-0503	67
7224-SF-3D	17	8424-SEIVF-3	21	8917-0220	61	9318-0504	67
7229-GF-3D	13	8424-SEIPR-3	21	8917-0320	61	9318-0505	67

Part Number Index

Part No.	Page	Part No.	Page	Part No.	Page	Part No.	Page
9318-0506	66	9416-1204	71	9712-0107	22,57	A0644490	59
9318-0507	67	9416-2002	69	9712-0108	13,17,57	A0644492	59
9318-0508	66	9416-2005	69	9712-0108S	22,57	A0644497	60
9318-0509	67	9416-2006	69	9712-0109	13,17,57	A0644499	60
9318-0510	66	9416-2406	70	9712-0109S	22,57	AX100248	59
9318-0511	66	9416-2407	70	9713-0200	59	AX100249	59
9318-0512	67	9416-3001	70	9713-0200-001	59	AX100462	59
9318-0513	67	9416-3002	70	9713-0201	59	AX100463	59
9318-0550	66	9416-3003	70	9713-0202	59	AX100781	64
9318-0560	66	9416-3004	70	9714-0720	55	AX100783	64
9321-0100	68	9416-3601	70	9714-0190	55	AX100784	64
9321-0200	68	9420-1905	60	9810-0100	60	AX100785	33
9411-1602	69	9420-1906	60	9811-0200	60	AX100786	33
9412-0801	68	9510-1901	59	9812-0300	60	AX100788	59
9413-0601	69	9511-1902	59	9813-0400	60	AX100789	59
9414-0602	69	9512-1901	59	9910-0100	60	AX100792	59
9415-1601	69	9512-1902	59	9910-0100-S0003	60	AX100793	59
9415-1603	69	9512-1902-FR	59	9911-0200	60	AX100794	59
9415-1610	69	9512-1903	45,48,59	9911-0200-S0002	60	AX100795	59
9415-1614	69	9513-1902	59	9912-0300	60	AX100796	59
9415-2002	69	9712-0100	13,17,22,57	9913-0400	60	AX100797	59
9416-0803	68	9712-0101	13,57	9913-0400-S0001	60	AX100930	31
9416-0804	68	9712-0102	13,57	9913-0400-S0002	60	AX100931	31
9416-0805	71	9712-0103	13,17,22,51,57	A0396695	59	AX100932	31
9416-1005	69	9712-0104	13,17,57	A0403977	59	AX100933	31
9416-1202	70	9712-0104S	22,57	A0644488	59	AX101173	59
9416-1203	71	9712-0106	22,57	A0644489	59	AX101174	31

Part Number Index

Part No.	Page	Part No.	Page	Part No.	Page	Part No.	Page
AX101175	31	BHFS11U	30	BHTT196	30,59	CTM5P18N	62
AX101176	31	BHGL03X	30	BHTT236	30,59	CTM8018N	62
AX101177	31	BHGL06X	30	BHVH003	30	CTS8050N	62
AX101178	31	BHGL10X	30	BHVH006	30	CTS1150N	62
AX101179	31	BHGL12X	30	BHVH010	30	CTS14P50N	62
AX101180	31	BHGR03X	30	BHVH012	30	CTS17P50N	62
AX101254	31	BHGR06X	30	BHVHH03	30	CTS8050BW	62
AX101371	31	BHGR10X	30	BHVHH06	30	CTS1150BW	62
AX102512	64	BHGR12X	30	BHVHH10	30	CTS14P50BW	62
AX102513	64	BHH191U	30,59	BHVHH12	30	CTS17P50BW	62
AX102514	33	BHH192U	30,59	BHVHL03	30	CTH15120N	63
AX102515	64	BHH193U	30,59	BHVHL06	30	CTH17P150N	63
AX102516	64	BHH231U	30,59	BHVHL10	30	CTH21P150N	63
AX102517	64	BHH232U	30,59	BHVHL12	30	CTH36P150N	63
BHBC03X	30	BHH233U	30,59	BHVL003	30	CTH48P150N	63
BHBC06X	30	BHPF100	30	BHVL006	30	CTI6040NM	63
BHBC10X	30	BHRR194	29	BHVL010	30	CTS11P50NM	63
BHBC12X	30	BHRR234	29	BHVL012	30	CTS14P50NM	63
BHDB03X	30	BHRR6194	29	CTI5P40N	62	CTM4018NMK	63
BHDB06X	30	BHRSK020	30	CTI8040N	62	CTM4P18NMK	63
BHDB10X	30	BHSM100	30	CTI11P40N	62	CTM5018NMK	63
BHDB12X	30	BHSP020	30	CTI14P40N	62	CTM8018NMK	63
BHDK03X	30	BHTD196	30,59	CTI5P40BW	62	CTS8050NMK	63
BHDK06X	30	BHTD236	30,59	CTI8040BW	62	CTS10P50MNK	63
BHDK10X	30	BHTL196	30,59	CTI11P40BW	62	TM100S4	63
BHDK12X	30	BHTL236	30,59	CTI14P40BW	62	TM101SS2	63
BHFB11U	30	BHTR196	30,59	CTM4018N	62	TM102	63

Part Number Index

Part No.	Page	Part No.	Page	Part No.	Page	Part No.	Page
TM1	63	XDR8419-31232	29	XMFEQ02	42	XWM-2420-GD-3	51
TM2	63	XDR8419-31236	29	XMFSB	42	XWM-2420-SD-3	51
TM4	63	XDR8419-312W	29,39	XNM-0100	61	XWM-2424-GD-3	51
XBS-11-0001	61	XDR8423-310	29	XNM84-3-100000	28	XWM-2424-SD-3	51
XBS-18-0001	61	XDR8423-31024	29	XSFBK01	39,61	XWM-3601	51
XCR-8419	32	XDR8423-31028	29	XSL48-3-100000	14	XWM-3606-GD-3	51
XCTV12	42,45,48	XDR8423-31032	29	XSL72-3-100000	14	XWM-3606-SD-3	51
XCTV18	42,45,48	XDR8423-31036	29	XSL78-3-100000	14	XWM-3619	51
XCTV24	42,45,48	XDR8423-310W	29	XSL84-3-100000	14	XWM-3620-GD-3	51
XDP72-3-100000	10	XDR8423-312	29	XST48-3-100000	10	XWM-3620-SD-3	51
XDP78-3-100000	10	XDR8423-31224	29	XST72-3-100000	10	XWM-3624-GD-3	51
XDP84-3-100000	10	XDR8423-31228	29	XST78-3-100000	10	XWM-3624-SD-3	51
XDR-4819	29	XDR8423-31232	29	XST84-3-100000	10	XWM-4801	51
XDR-7201	30	XDR8423-31236	29	XSW-0100	32	XWM-4806-GD-3	51
XDR-7219	29	XDR8423-312W	29	XSW-0200	32	XWM-4806-SD-3	51
XDR-8401	30	XDRS8419-610	29	XSW-8419	32	XWM-4819	51
XDR-8403	30	XDRS8423-610	29	XUS78-3-100000	18	XWM-4820-GD-3	51
XDR-8419	29	XMEBK01	45,48,61	XUS84-3-100000	18	XWM-4820-SD-3	51
XDR8419-310	29,39	XMEGK01	45,48	XUS-ATD-0010-3	22,55	XWM-4824-GD-3	51
XDR8419-31024	29	XMEEG01	45	XUSD84-3-100000	18	XWM-4824-SD-3	51
XDR8419-31028	29	XMELM	45,48	XUSD-ATD-0010-3	22,55	XWM-9312-1600	51
XDR8419-31032	29	XMERSB	45,48	XUSDS84-3-00000	18	XWR-1219	33
XDR8419-31036	29	XMFBK01	42,61	XUSS84-3-00000	18	XWR-3619-18	33
XDR8419-310W	29,39	XMFBK02	42,61	XWM-2401	51	XWR-3619-18HD	33
XDR8419-312	29,39	XMFBK03	42	XWM-2406-GD-3	51	XWR-4819-18	33
XDR8419-31224	29	XMFACTM	42,45,48	XWM-2406-SD-3	51	XWR-4819-18HD	33
XDR8419-31228	29	XMFEQ01	42	XWM-2419	51		

State-of-the-Art Facilities with Extensive Capabilities

The Belden Flexible Manufacturing System (FMS) is comprised of a totally computer-controlled line that incorporates motorized material storage, CNC Turret Punch Press, loading and unloading, right angle shear and conveyor sorting system capabilities.

Our facilities also utilize efficient robotic and laser systems to provide our customers with best-in-class manufacturing technology. This equipment ensures precision workmanship and repeatability – hallmarks of the Belden brand.



Robotic and laser system technology

Finishing

- Anodizing
- Irriditing

Engineering

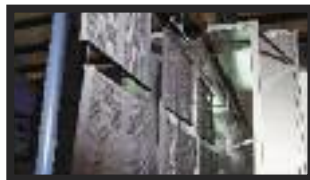
- New product development
- Smooth transition from prototype to production
- CAD/CAM Technology
- Flat pattern lay-out, folding and unfolding of designs

Materials

- Cold rolled steel
- Stainless steel
- Special alloys

Powder Coating

Belden's Powder Coating facility uses an extremely durable and decorative powder using state of the art application and curing facilities. The powder paint process not only provides a superior durable and attractive finish that stands up even on products exposed to the elements for long periods of time, but is also economical and reduces our use of hazardous materials. The entire process is environmentally friendly, and is in complete conformance to both state and federal "Clean Air Act" guidelines. Finished goods are inventory-ready in our warehouse and can accommodate market fluctuations.



Efficient powder coating process provides durability and aesthetic value

Packaging and Shipping

Metal enclosures are packaged with protective corner posts, stretch-film wrapped and poly-strapped. Enclosures are normally shipped on individual pallets, reducing damage risk.



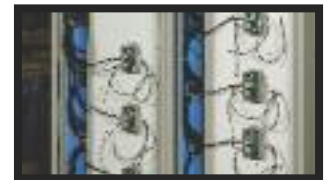
Manufactured units are carefully packaged for shipping



Belden design expertise allows for quick response to your specific project needs, including modification to standard enclosures or custom design.



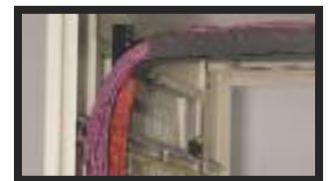
Racks can be pre-assembled with patch panels, patch cords and other components



Units can be pre-assembled with electronic equipment, controls, sensors and cabling

Custom Capabilities

- Engineering and design expertise
- Product modifications to standard enclosures and racks
- Custom design of metal enclosures, racks or components
- Pre-wiring or hard wiring of complex systems
- Pre-assembled enclosures or racks with patch panels, patch cords, or other connectivity
- Fabricated metal components and kitting services



Enclosure pre-wired with copper cabling

GLOBAL LOCATIONS

Customer Service:
800-BELDEN-1 (800-235-3361)

See www.belden.com for a complete listing of Belden locations.



UNITED STATES

Division Headquarters—Americas

2200 U.S. Highway 27 South
Richmond, IN 47374

Phone: 765-983-5200
Inside Sales: 800-235-3361
Fax: 765-983-5294
info@belden.com
[web: www.belden.com](http://www.belden.com)

Cable Management Manufacturing Operations

2001 N. Main Street
Washington, PA 15301
Phone: 800-793-2954
724-228-7373
Fax: 724-228-3920

CANADA

National Business Center

2280 Alfred-Nobel
Suite 200
Saint-Laurent, QC
Canada H4S 2A4

Phone: 514-822-2345
Fax: 514-822-7979